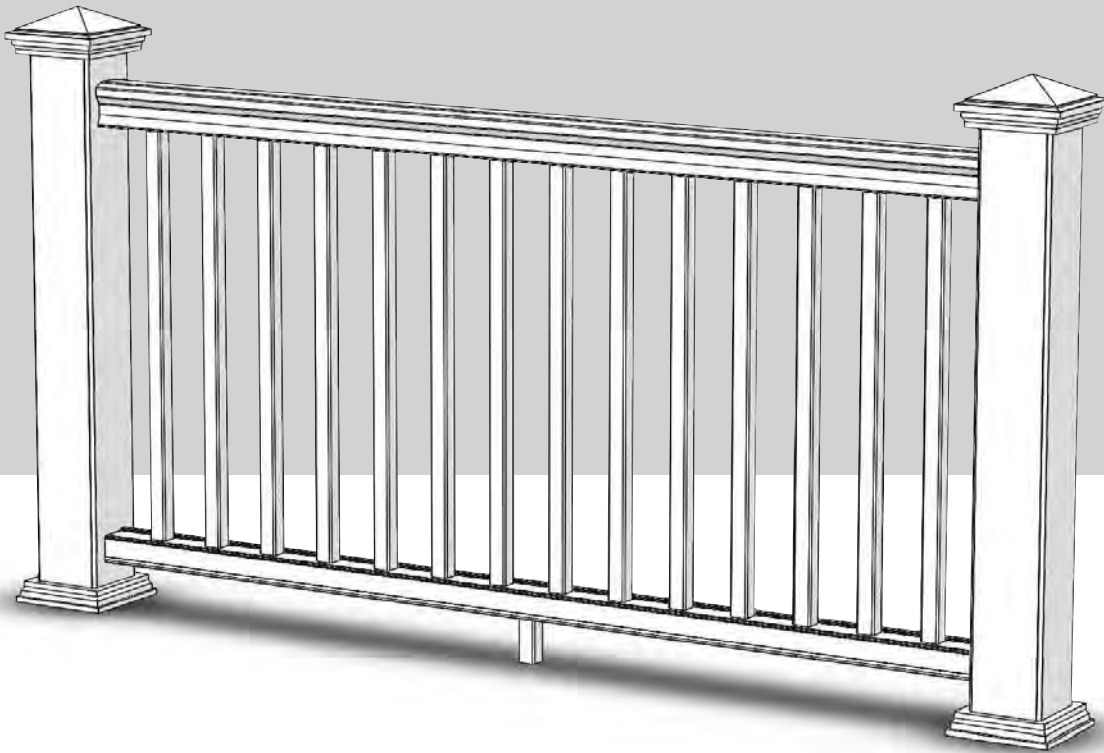


# fiberon<sup>®</sup> SYMMETRY<sup>®</sup> SIGNATURE

Low-Maintenance Composite Railing

**6-ft. and 8-ft.**  
**INSTALLATION INSTRUCTIONS**



Manufactured by

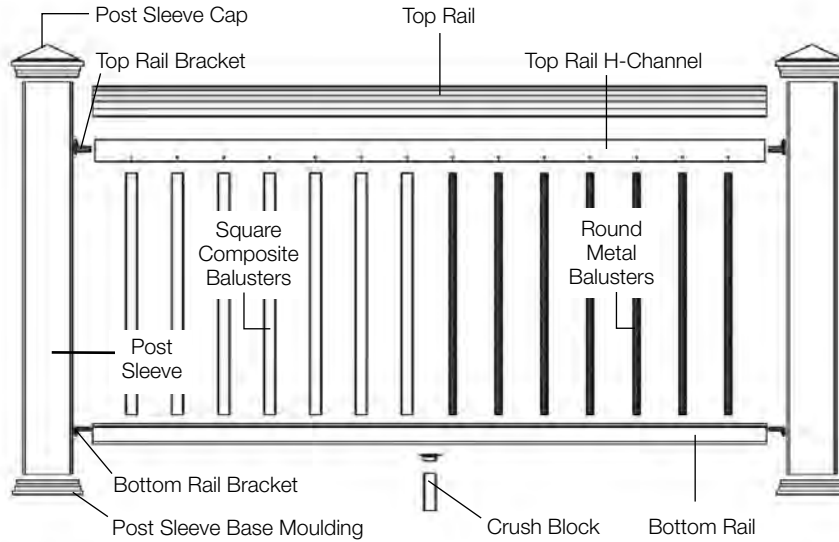
**fiberon<sup>®</sup>**

fiberondecking.com  
800.573.8841

## Railing component list for 6-ft. section:

Maximum length between post sleeves is 67 inches.

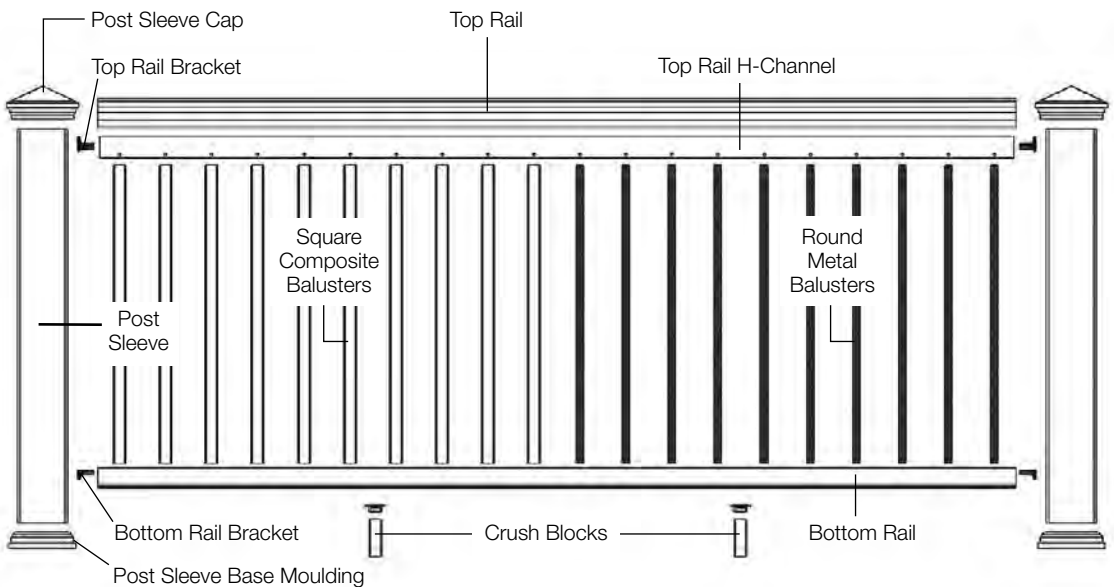
- Top Rail
- Bottom Rail
- H-Channel
- Hardware and Screws
- 14 Balusters
- Crush Block
- Post Caps
- Post Sleeves
- Post Skirt



## Railing component list for 8-ft. section:

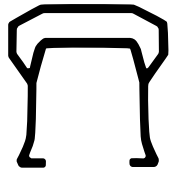
Maximum length between post sleeves is 91 inches.

- Top Rail
- Bottom Rail
- H-Channel
- Hardware and Screws
- 20 Balusters
- 2 Crush Block
- Post Caps
- Post Sleeves
- Post Skirt

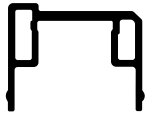


*Note: Rail lengths will vary slightly due to manufacturing processes. Ensure rails are cut to correct length with hole pattern centered between posts before securing.*

# Symmetry Signature Railing Installation Instructions - 6-ft. and 8-ft. Line



Top Rail Profile

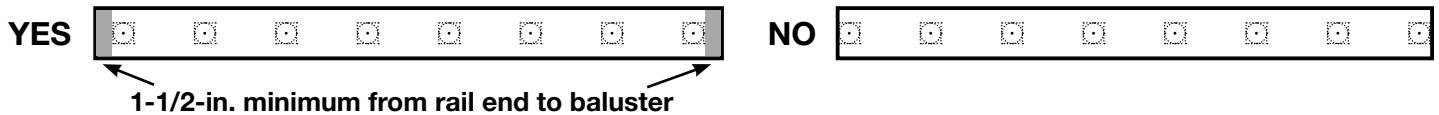


Bottom Rail Profile

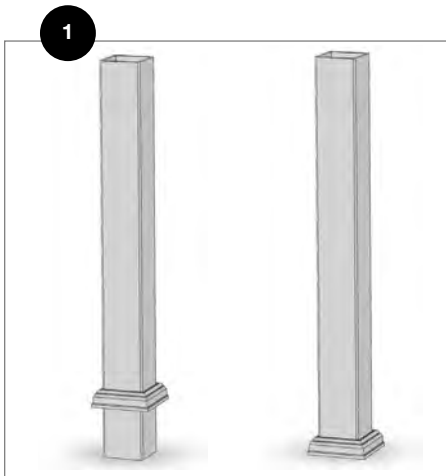
## Required Tools and Supplies:

- Power Drill
- Protective Eye Wear
- Tape Measure
- Level
- Speed Square
- Miter Saw
- Pencil
- Adjustable Square

**Prior to installing railing:** Please consult local zoning laws regarding load requirements and bottom space requirements for rails. All supporting structures must be in accordance with applicable building codes. Neighborhood associations and/or historic districts may regulate size, placement, and type of railing. Apply for permits if required by local authorities and codes. Ensure compliance prior to installation. Local building code requirements will always supersede any and all suggested procedures and measurements in the following instructions. The following installation instructions are intended as a general guideline based on common building practices used in railing installation.

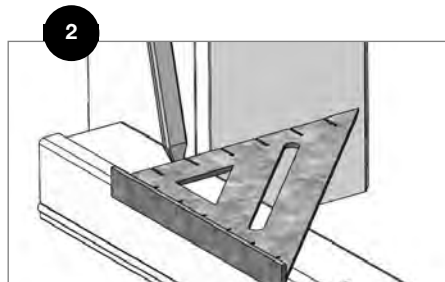


**Rail Installation:** When top and bottom rail length is greater than the distance between posts, trim both ends of the rail to maintain uniform baluster spacing. It is critical to ensure the trim mark does not interfere with the balusters once installed.



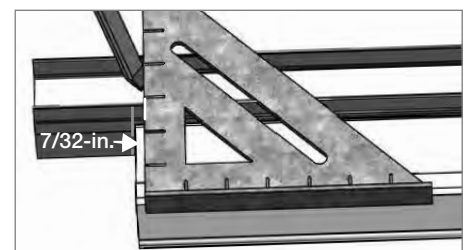
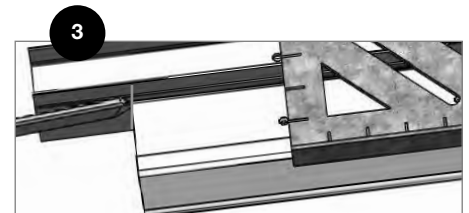
**Note:** Make sure posts are plumb and level prior to installing the railing.

Cover 4x4 posts or Fiberon surface mount bracket with post sleeve and verify spacing. Posts should be plumb in both directions. Place post sleeve base moulding over post sleeve and slide it down to the deck surface.



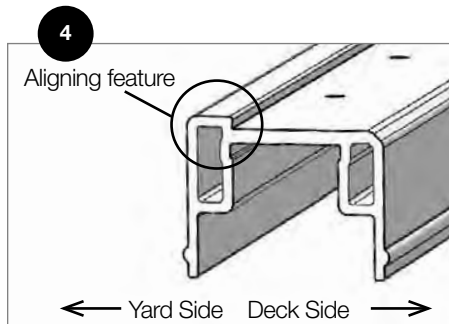
Measure the distance between the posts for the bottom rail. Center the hole pattern, then mark the cutting points. Check for fit.

Center the bottom rail with the top rail. Mark and cut to length.



Align the H-bar and the cut bottom rail hole patterns. Mark the length of the bottom rail on the H-bar, then subtract 7/32-in. from that measurement on each end of the H-bar (7/16-in. total to allow for top bracket thickness) and mark. Cut the H-bar and set aside for step 7.

# Symmetry Signature Railing Installation Instructions - 6-ft. and 8-ft. Line



Ensure that the bottom rail is positioned correctly prior to installation. The bottom rail has an aligning feature on the top, which should be on the yard side of the rail opposite to the deck side.

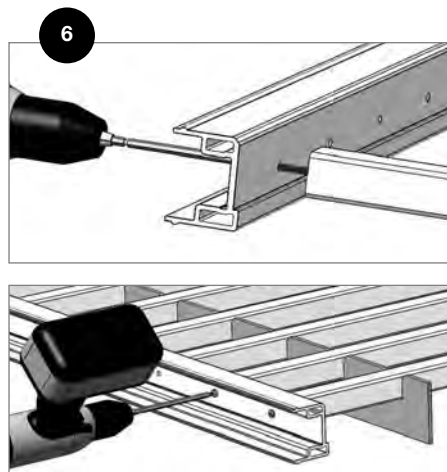


**Square Composite Balusters:** Measure and trim all balusters to the required length.

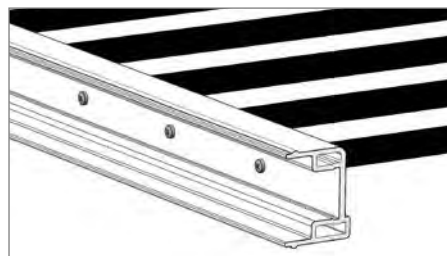
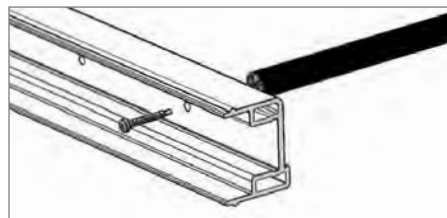
Remove the baluster guide from the railing box, place on a flat surface, and insert the balusters into the precut slots.

*Note: Square composite baluster lengths will vary slightly due to manufacturing processes. Insure balusters are cut to uniform length.*

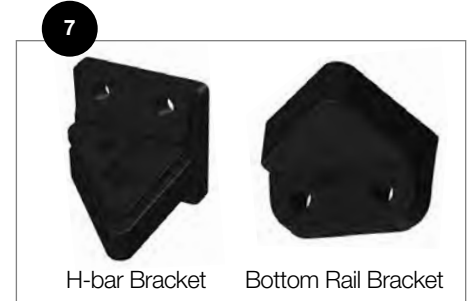
*Note: Round metal balusters do not require trimming.*



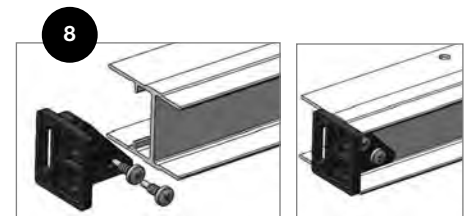
**Square Composite Balusters:** Align the bottom rail with the balusters on the same end as the baluster guide. Hold square balusters securely against the aligning feature on the bottom rail and secure the balusters to the bottom rail with the supplied #10 x 1-1/2-in. screws. Do not over-tighten



**Round Metal Balusters:** Align baluster with predrilled holes in bottom rail. Insert supplied #10 x 1-1/2-in. screw through hole and into the center ("X") of the fins inside of the baluster. Do not over-tighten.

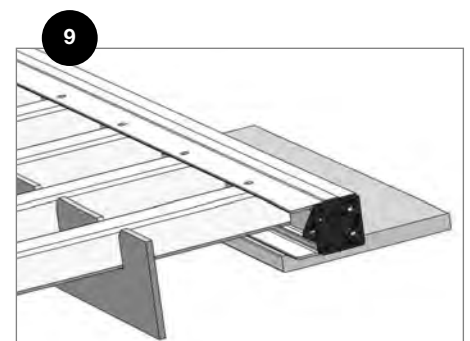


Ensure that the brackets are positioned correctly prior to installation. The brackets indicate which side will be facing the decking.



Fully insert top brackets into both ends of the aluminum H-bar with the arrow pointing upward.

Using integrated screw template, secure with self-drilling #10 x 5/8-in. screws. Do not over-tighten.

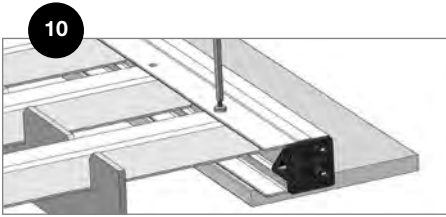


Align the aluminum H-bar with the balusters with the side holes facing upward.

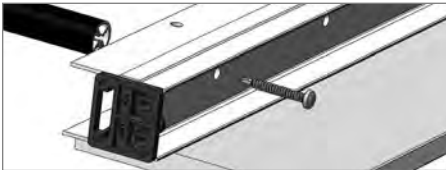
**Square Composite Balusters:** Slide the baluster guide to the opposite end of the balusters. Insert the top of the balusters fully into the channel of the aluminum H-bar rail.

*Note: When securing composite or metal balusters, shim the H-bar with a 1/2-in. – 5/8-in. spacer to help ensure balusters remain perpendicular to the H-bar.*

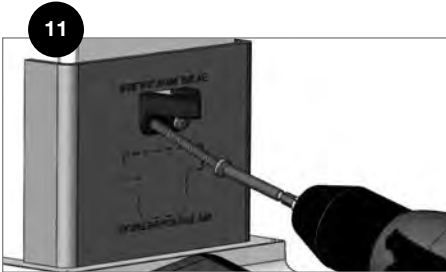
# Symmetry Signature Railing Installation Instructions - 6-ft. and 8-ft. Line



**Square Composite Balusters:** Position the top of the balusters tightly against the inside of the top H-bar. Center the balusters under the side-mounting screw holes. Working from one end to the other, secure each baluster using the supplied #8 x 1-1/2-in. flat head screws. Do not over-tighten.



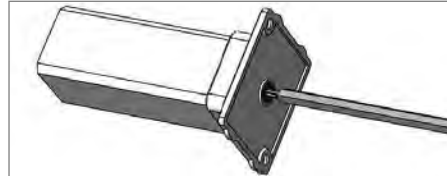
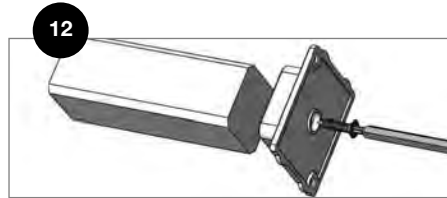
**Round Metal Balusters:** Insert supplied #10 x 1-1/2-in. screw through holes in the H-bar, and into the center ("X") of the fins inside of the baluster. Drive until secure. Do not over-tighten.



Locate the Symmetry Signature bottom line bracket template (included on the post sleeve carton and inside the rail kit box).

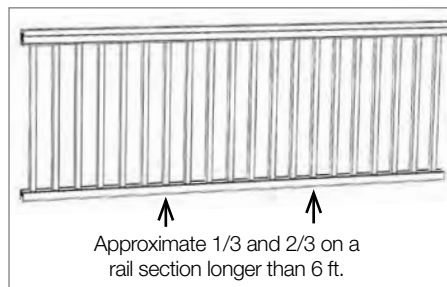
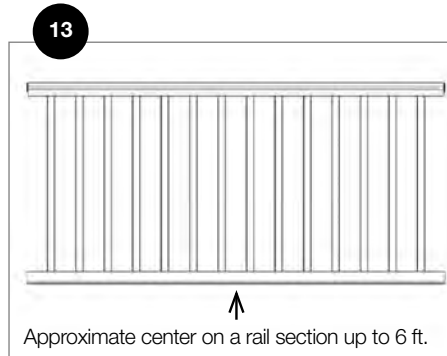
Using the bottom bracket template, position and secure bottom brackets using the supplied #10 x 2 1/2-in screws, ensuring the bracket is positioned correctly (see step 7).

The template will create a 3-in. gap under the bottom rail.



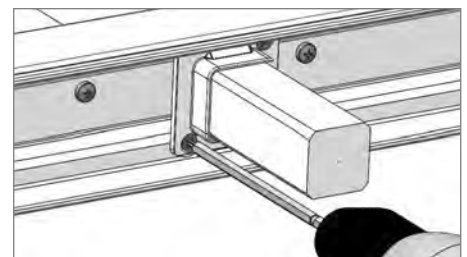
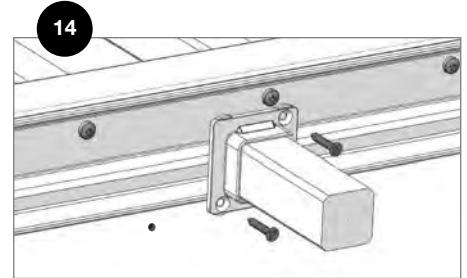
Dry fit, measure, and trim crush block to the required final length. Secure crush block to holder using supplied flat head screw.

*Note: When using the bracket template, a 3-3/4-in. tall crush block is required. The screw will be off-center in the crush block.*

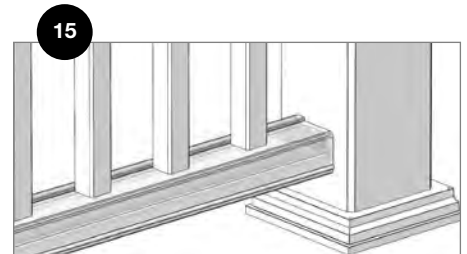


For 6-ft. rail sections, position the crush block and holder inside the bottom rail at the approximate center point.

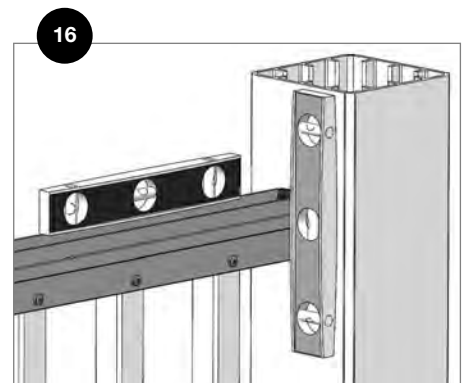
For 8-ft. rail sections, position the two crush blocks and holders inside the bottom rail at the approximate 1/3 and 2/3 points.



Pre-drill the two holes with a 1/8-in. bit, taking care not to drill through the top of the bottom rail. Secure with the supplied flat head screws. Do not over-tighten.

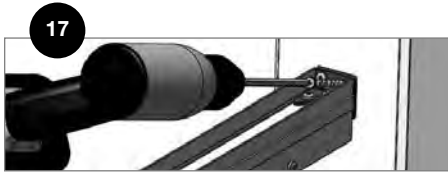


Carefully position the pre-assembled railing infill between the posts, then slowly lower over the bottom brackets until fully seated.

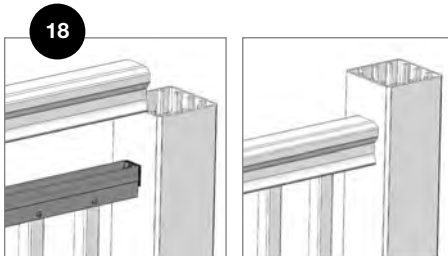


Center the H-bar on the post and check rail for plumb.

## Symmetry Signature Railing Installation Instructions - 6-ft. and 8-ft. Line (cont.)



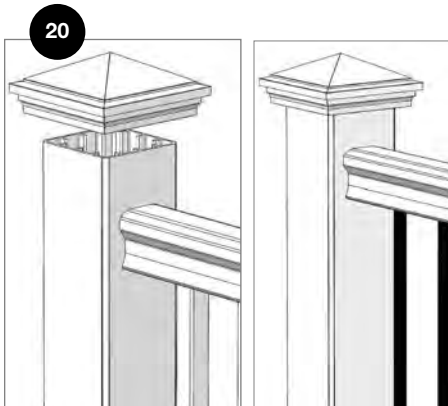
Secure the top brackets with the supplied #10 x 2-1/2-in. screws.



Position the top rail over the infill assembly and carefully lower into place.



Using supplied 1-1/2-in. screws, secure the top rail starting as close to the post as possible. Space the remaining screws evenly.



Complete the assembly by gluing the post caps in place with a quality exterior-grade adhesive.

## Symmetry Signature Railing Installation Instructions - Angled Line

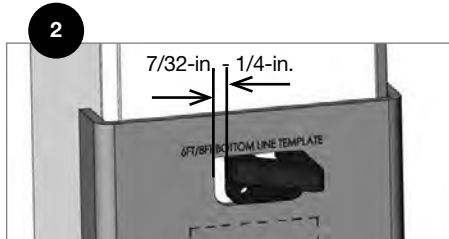


*Note: Angled installations require a minimum 5x5 post.*



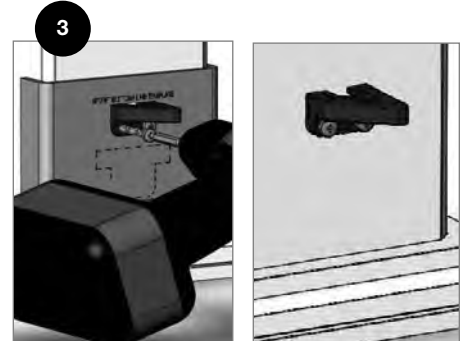
For angled line installation, the line brackets must be installed with the angled edge on the deck side of the railing.

*Note: This is opposite of what is indicated on the line bracket for basic line railing installation.*

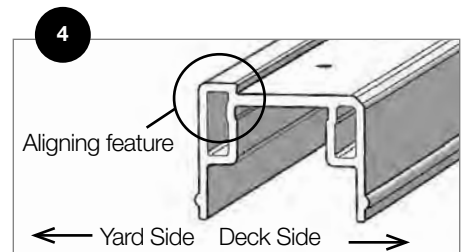


The template can still be used to locate the height of the line bracket. The side-to-side alignment needs to be approximately 7/32-in. – 1/4-in. off-centered from the deck side of the railing for a full 45-degree installation.

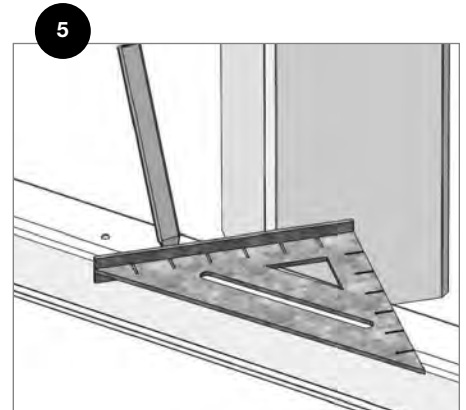
*Note: If the bracket is not offset slightly, the top rail may overhang the corner post face and extend into the corner chamfer.*



Secure with supplied #10 x 2-1/2-in. self-drilling screws. Do not over-tighten.



Ensure that the bottom rail is positioned correctly prior to cutting the bottom rail angle for installation. The bottom rail has an aligning feature on the top, which should be on the yard side of the rail opposite to the deck side.



Center the hole pattern in the bottom rail between the posts. Transfer length and angle to the top rail and cut both top and bottom rails. When aligning the hole pattern, transferring length, and cutting angles on the H-bar, remember to subtract 7/32-in. from each end to allow for top brackets.

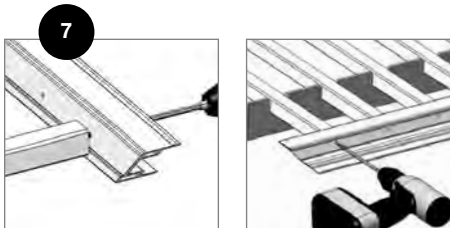
# Symmetry Signature Railing Installation Instructions - Angled Line



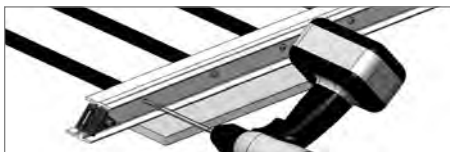
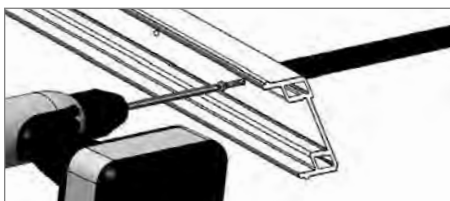
**Square Composite Balusters:** Measure and trim all balusters to the required length. Remove the baluster guide from the railing box. Place on a flat surface and insert the balusters into the precut slots.

*Note: Square composite baluster lengths will vary slightly due to manufacturing processes. Insure balusters are cut to uniform length.*

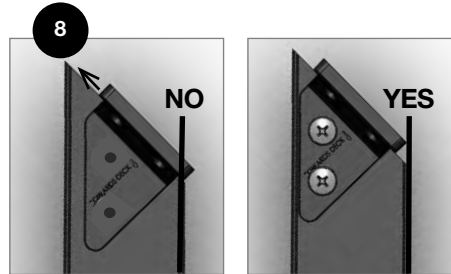
*Note: Round metal balusters do not require trimming.*



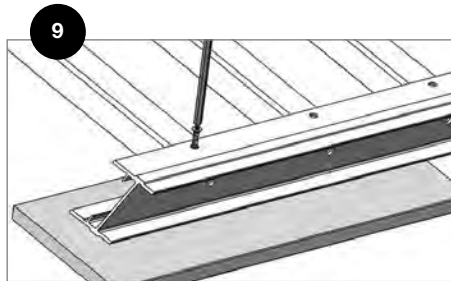
**Square Composite Balusters:** Align the bottom rail with the balusters on the same end as the baluster guide. Hold square balusters securely against the aligning feature on the bottom rail and secure the balusters to the bottom rail with the supplied #10 x 1-1/2-in. screws. Do not over-tighten.



**Round Metal Balusters:** Align baluster with predrilled holes in bottom rail. Insert supplied #10 x 1-1/2-in. screw through hole and into the center ("X") of the fins inside of the baluster. Do not over-tighten.

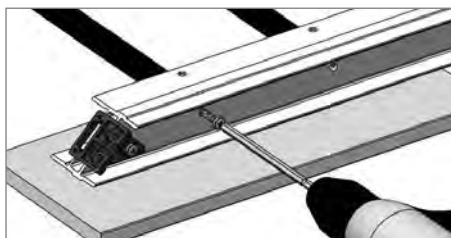


Insert top brackets into the cavity of the aluminum H-bar, ensuring that the top bracket is located within the boundaries of the H-bar. If the bracket is outside of the boundaries, the top rail will not fit over the H-bar and bracket. Secure with the supplied #10 x 5/8-in. self-drilling screws.

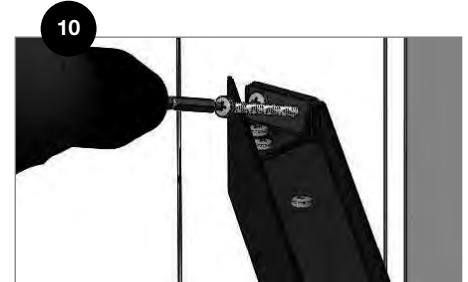


**Square Composite Balusters:** Position the top of the balusters tightly against the inside of the top H-bar. Center the balusters under the side-mounting screw holes. Working from one end to the other, secure each baluster using the supplied #8 x 1-1/2-in. flat head screws. Do not over-tighten.

*Note: The screws should penetrate fully through the baluster.*



**Round Metal Balusters:** Insert supplied #10 x 1-1/2-in. screw through holes in the H-bar, and into the center ("X") of the fins inside of the baluster. Drive until secure. Do not over-tighten.



Assemble and attach the crush block following standard line railing instructions.

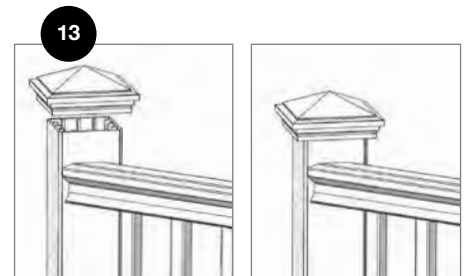
Position the assembled infill over the bottom brackets and carefully lower into place and secure the top brackets with the supplied #10 x 2-1/2-in. screws.



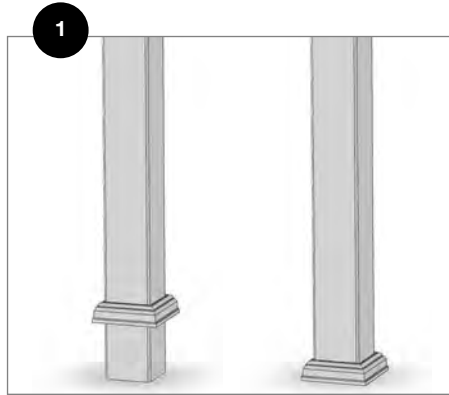
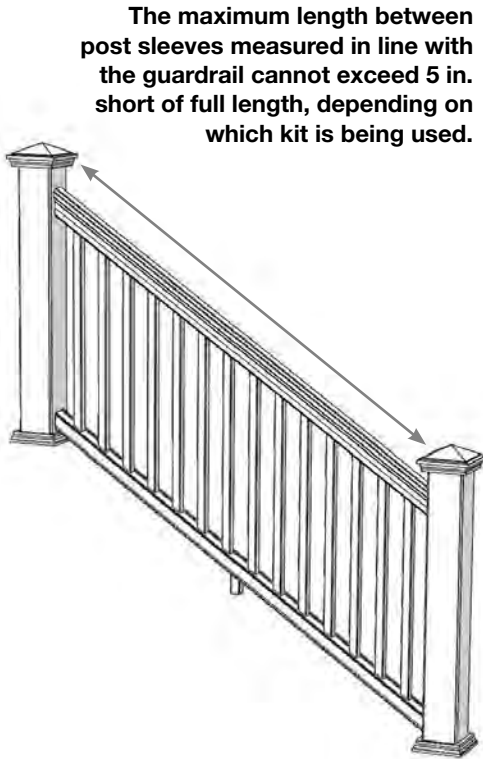
Position the top rail over the infill assembly, and carefully lower into place.



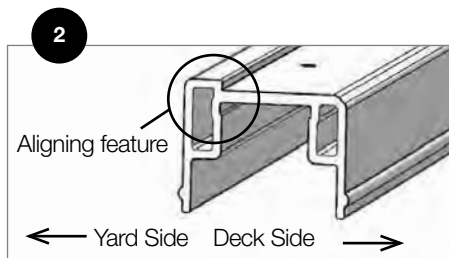
Using supplied 1-1/2-in. screws, secure the top rail starting as close to the post as possible. Space the remaining screws evenly.



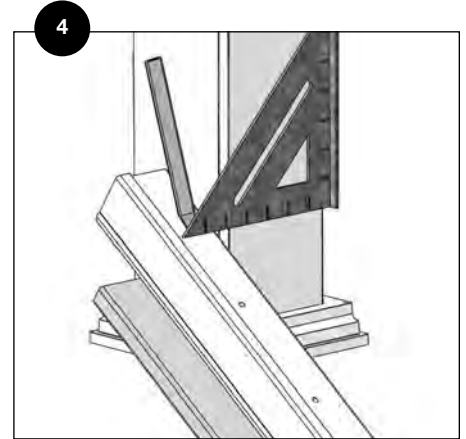
Complete the assembly by gluing the post caps in place with a quality exterior-grade adhesive.



1  
Cover 4x4 posts or Fibron surface mount bracket with post sleeve and verify spacing. Posts should be plumb in both directions. Place post sleeve base moulding over post sleeve and slide it down to the deck surface.



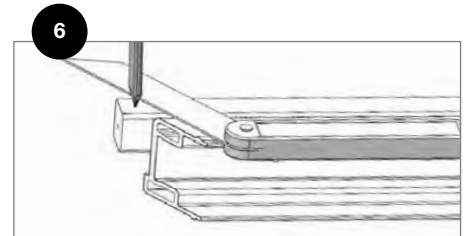
Ensure that the bottom rail is positioned correctly prior to cutting the bottom rail angle for installation. The bottom rail has an aligning feature on the top, which should be on the yard side of the rail opposite to the deck side.



4  
Center the hole pattern between the posts, allowing a minimum 1-5/8-in. from rail end to routed baluster holes.

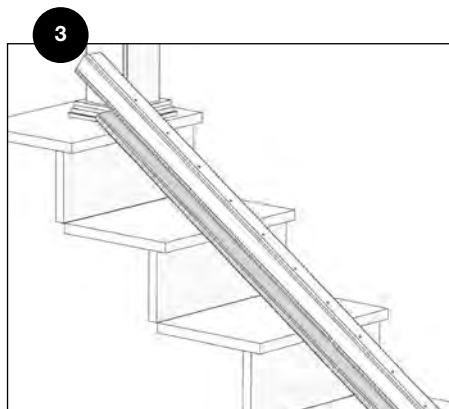


5  
Transfer the stair angle to both ends of the bottom rail and cut to the required length and angle. Test for a snug fit and make corrections as needed.



6  
**Square Composite Balusters:** Transfer the stair angle to the balusters, and cut the balusters to desired length.

*Note: Round metal balusters are pre-cut on one end. If a custom angle is required, cut the factory angled end, leaving the square end as is. This will allow proper seating when securing the top of the balusters later in the installation.*



3  
To establish the stair angle, use a 1x4 or similar support to bridge at least three stairs. Place the bottom rail between the stair posts.

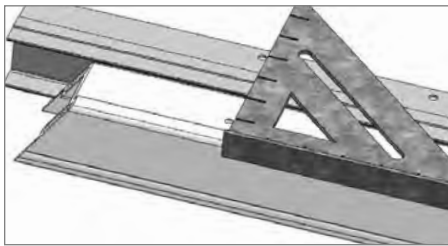
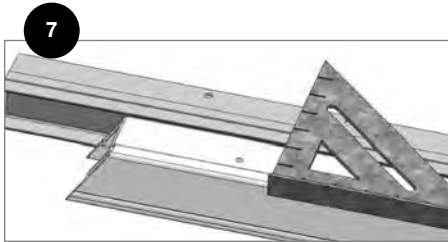
Building codes are very specific on allowable angles and widths. It is very important to consult with your local building code officials and plan your stair layout accordingly. Leave adequate space for graspable hand rail if applicable.

*Note: The slope of the stairs can be 30-37 degrees.*

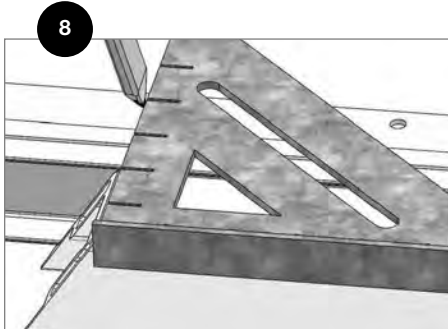
*Note: Rail lengths will vary slightly due to manufacturing processes. Make sure rails are cut to correct length.*



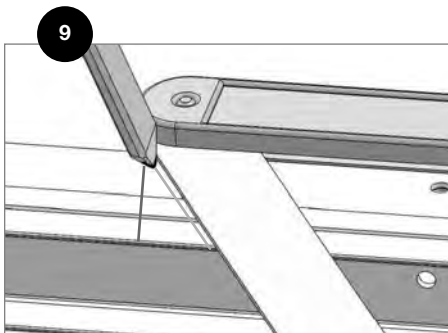
# Symmetry Signature Railing Installation Instructions - 6-ft. and 8-ft. Stair



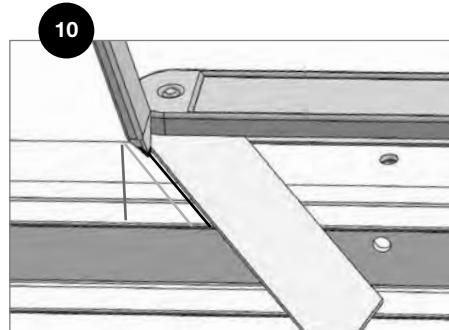
To cut the H-bar, first place the H-bar on its side with the holes nearest to the cut bottom rail. The bottom rail should be top side up. Align the hole pattern with the cut bottom rail.



Transfer the length of the cut bottom rail to the H-bar.



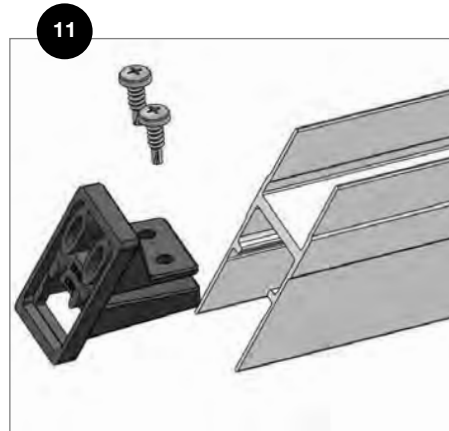
Scribe the stair angle to the side of the H-bar at both ends.



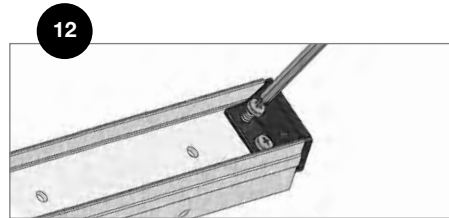
The total length of the H-bar will be 7/16-in. shorter than the cut bottom rail.

Scribe a second line 7/32-in. inside the first at both ends.

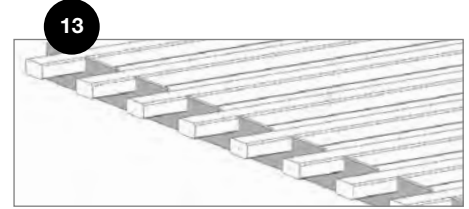
*Note: This allows for the thickness of the upper bracket.*



Position the top brackets into the H-bar, ensuring that they are inserted completely.

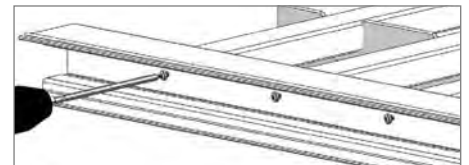
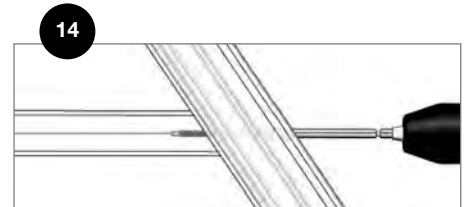


Secure the top brackets to the H-bar using (two) 5/8-in. self-drilling pan head screws. Do not over-tighten.



**Square Composite Balusters:** Remove the baluster guide from the rail box. Place on a flat surface and insert the balusters into the precut slots.

**Round Metal Balusters:** Place cut bottom rail on a flat level surface. Align the cut-end of the round metal baluster with the top surface of the bottom rail.



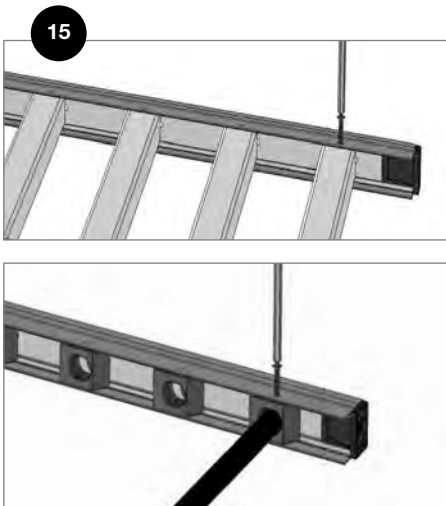
**Square Composite Balusters:** Align the end baluster with the predrilled hole in the bottom rail. Secure the balusters using the supplied #10 x 1-1/2-in. screws.

Hold each square composite baluster securely against the aligning feature and drive screws parallel with the balusters, not perpendicular to the bottom rail. Do not over-tighten.

**Round Metal Balusters:** Insert the screw into the center "X" of the end baluster. It may be necessary to slightly over-drill the factory-drilled holes by rocking the moving bit parallel with the direction of the rail. Do not over-tighten.

Continue working from one end until all the balusters are secured into the bottom rail.

## Symmetry Signature Railing Installation Instructions - 6-ft. and 8-ft. Stair



*Note: It is important to ensure balusters are level when securing. Shim the H-bar with a 1/2-in. - 5/8-in. spacer to ensure the balusters remain fully inserted when securing.*

**Square Composite Balusters:** Move the baluster guide to the top rail end of the square composite balusters.

Position the top of the balusters tightly against the inside of the top H-bar. Center the balusters under the side-mounting screw holes. Working from one end to the other, secure each baluster using the supplied #8 x 1-1/2-in. flat head screws. Do not over-tighten.

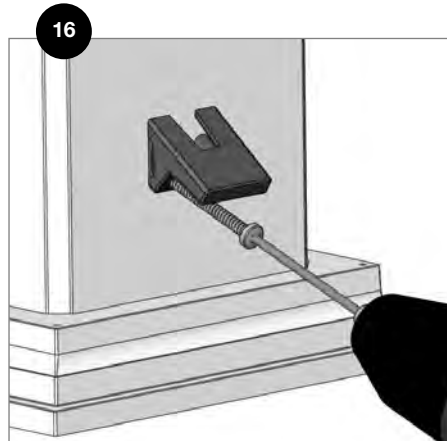
*Note: The screws should penetrate fully through the baluster.*

Secure the remaining balusters working to the other end. Do not over-tighten.

**Round Metal Balusters:** Insert the round baluster holders into the aluminum H-bar, ensuring that the angled hole is oriented correctly and that the through hole aligns with the side holes in the H-bar.

Fully seat all balusters into the holders. Secure an end baluster first, using the supplied #8 x 1-1/2-in. flat head self-drilling screws through the H-bar side holes.

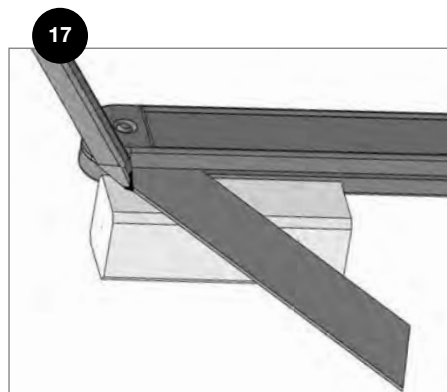
Pivot the H-bar toward the remaining balusters, inserting them into the holders. Start from the secured end and work to the other end. Secure the remaining end baluster, and then the remaining infill balusters.



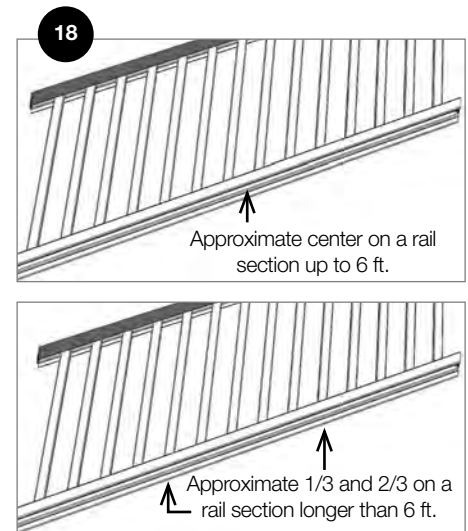
Dry fit the assembled section and use the bottom rail to scribe a light line on the post to determine the location of the bottom rail bracket.

*Note: For best results, predrill bracket holes on post with a 1/8-in. - 5/32-in. bit to ensure accurate screw placement and full insertion, particularly as the stair angle increases.*

Secure the bottom stair brackets to the post using the supplied #10 x 2-1/2-in. at the desired height. Do not over-tighten.

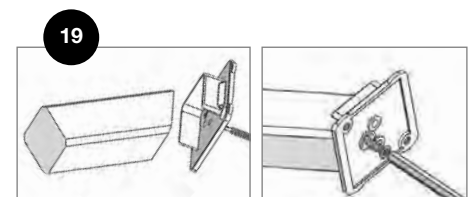


Before assembling the crush block, transfer the stair angle to the end of the crush block, dry fit, and cut to fit.



For 6-ft. rails sections, position the crush block and holder inside the bottom rail at the approximate center point.

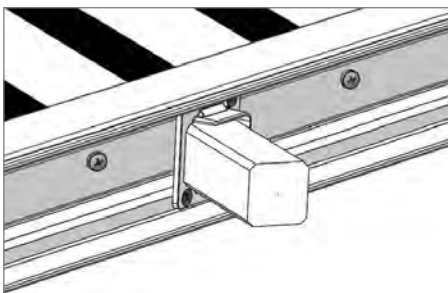
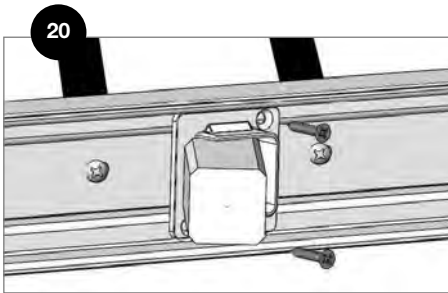
For 8-ft. rail sections, position the two crush blocks and holders inside the bottom rail at the approximate 1/3 and 2/3 points.



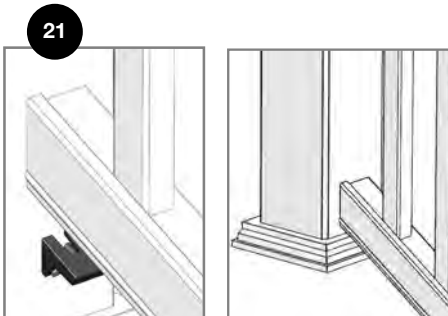
Secure crush block to crush block holder using a supplied #8 flat head screw. Do not over-tighten.

*Note: The screw will be off-center in the crush block.*

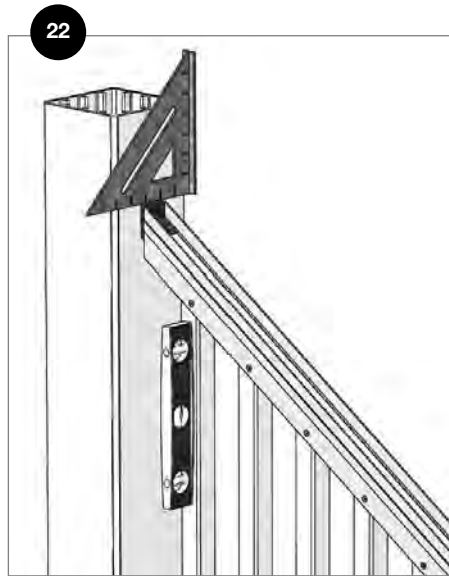
# Symmetry Signature Railing Installation Instructions - 6-ft. and 8-ft. Stair



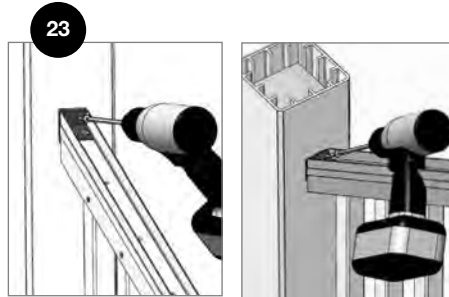
Position the crush block and holder into the bottom rail, and locate the two screw holes. Remove the holder and pre-drill using a 1/8-in. drill bit. Reposition the crush block and holder, and secure with the supplied #8 x 1-in. screws. Do not over-tighten.



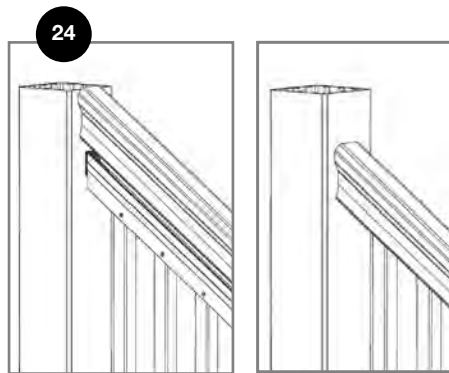
Carefully position the pre-assembled railing infill between the posts, then slowly lower over the bottom brackets until fully seated.



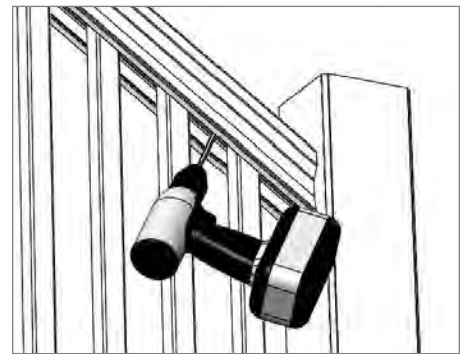
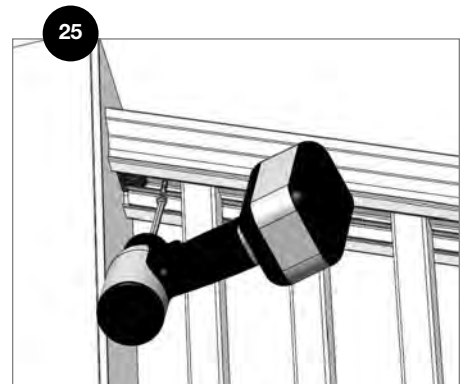
Center the H-bar on the post and check rail for plumb.



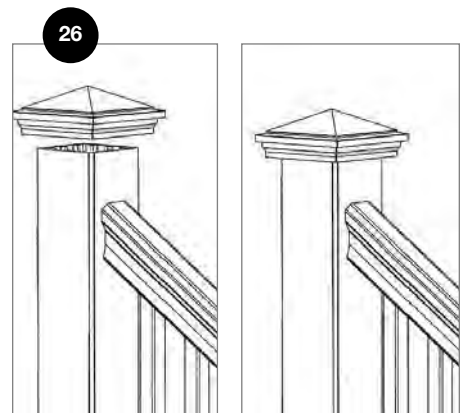
Starting at the top, secure the H-bar to the posts at both ends using the supplied #10 x 2-1/2-in. self-drilling pan head screws. Do not over-tighten.



Position the top rail over the infill assembly, and carefully lower into place.



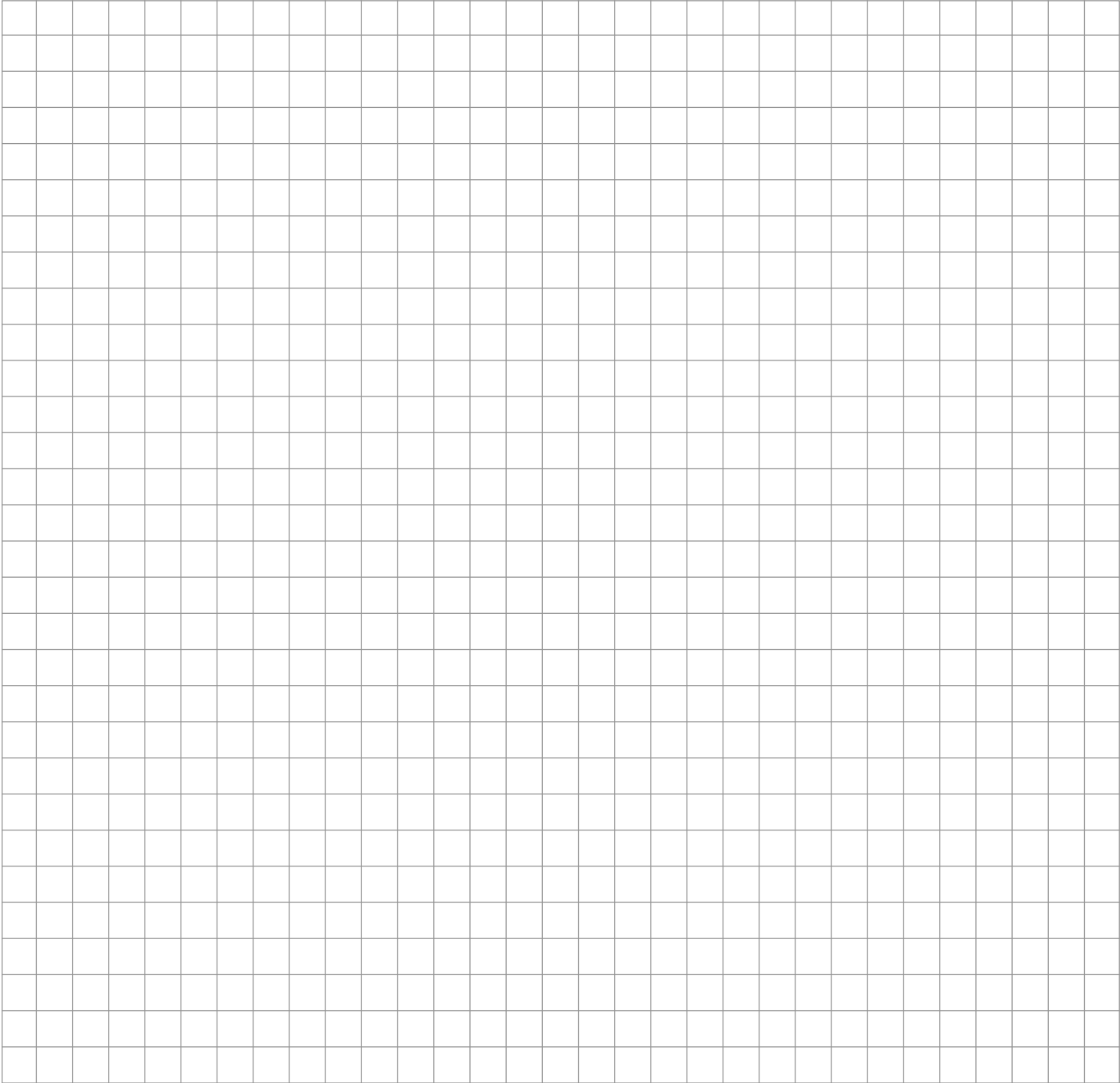
Using supplied 1-1/2-in. screws, secure the top rail starting as close to the post as possible. Space the remaining screws evenly.



Complete the assembly by gluing the post caps in place with a quality exterior-grade adhesive.

# Design Grid

---

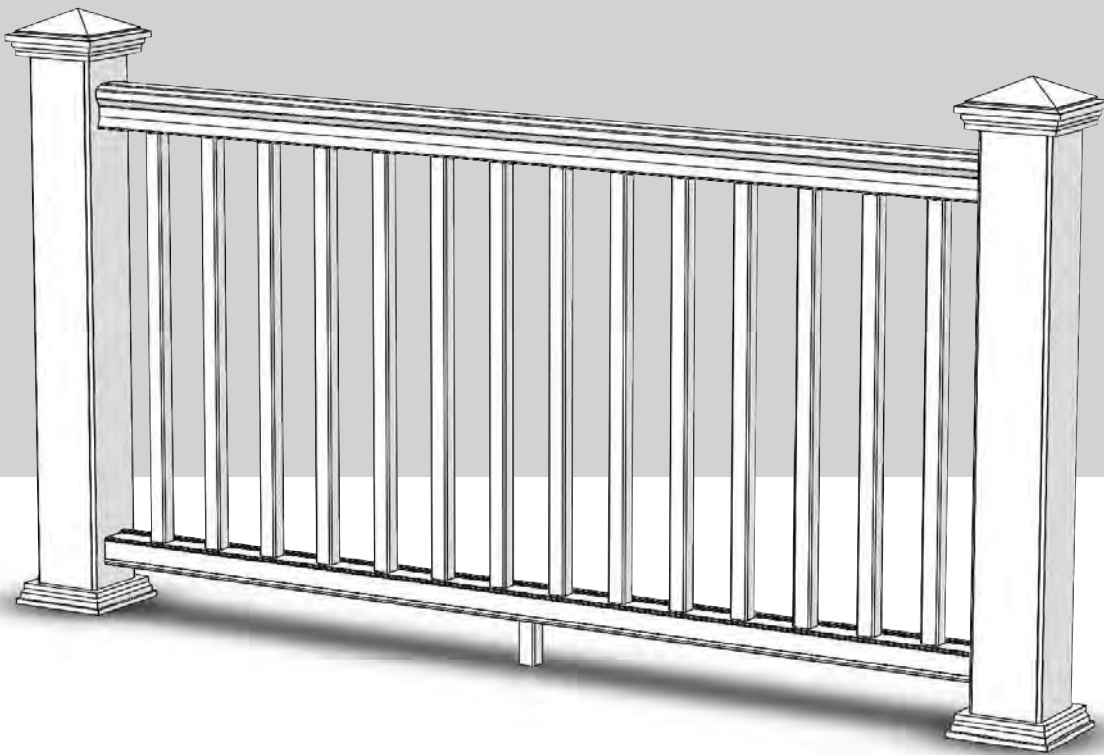


fiberondecking.com  
800.573.8841

# fiberon<sup>®</sup> SYMMETRY<sup>®</sup> SIGNATURE

Barandilla de material compuesto  
de bajo mantenimiento

**1.83 m y 2.44 m**  
**INSTRUCCIONES PARA LA INSTALACIÓN**



Fabricado por

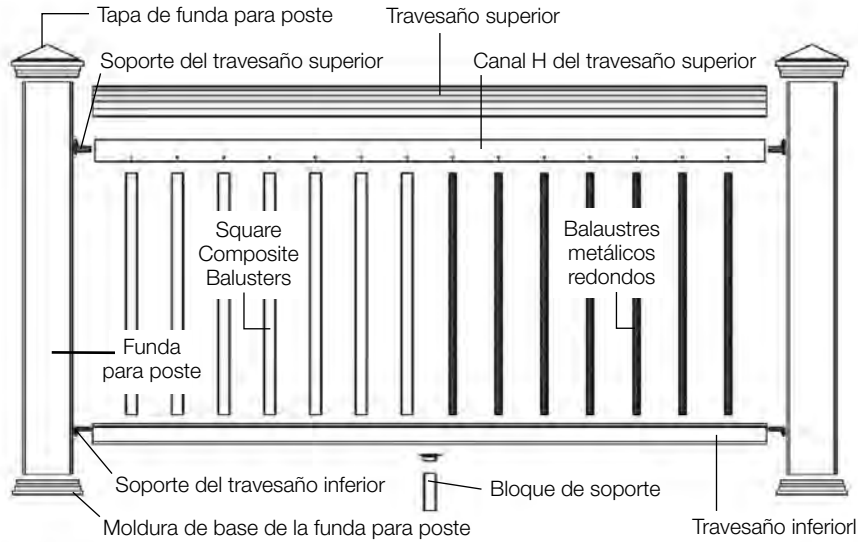
**fiberon<sup>®</sup>**

fiberondecking.com  
1.800.573.8841

### Lista de componentes de las barandillas para la sección de 1.83 m:

La longitud máxima entre las fundas para poste es de 170 cm.

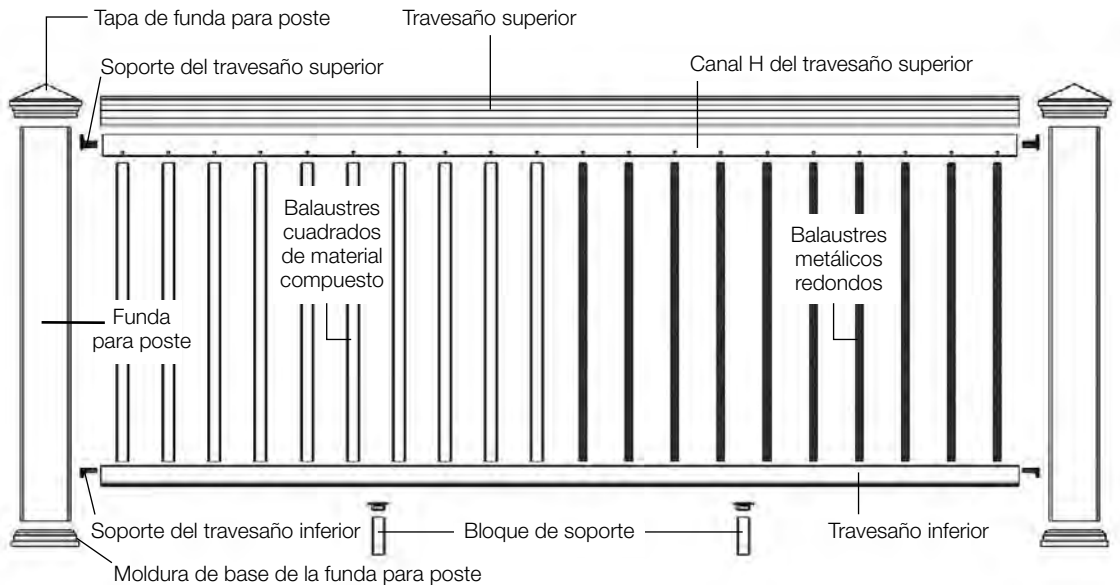
- Travesaño superior
- Travesaño inferior
- Canal en H
- Herrajes y tornillos
- 14 balaustres
- Bloque de soporte
- Tapas de los postes
- Fundas para postes
- Fasldones para postes



### Lista de componentes de las barandillas para la sección de 2.44 m:

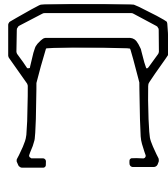
La longitud máxima entre las fundas para poste es de 231 cm.

- Travesaño superior
- Travesaño inferior
- Canal en H
- Herrajes y tornillos
- 20 balaustres
- 2 Bloque de soporte
- Tapas de los postes
- Fundas para postes
- Fasldones para postes

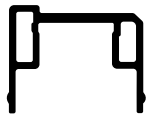


*Nota: las longitudes de los travesaños variarán ligeramente según los procesos de fabricación. Antes de fijar los travesaños, asegúrese de cortarlos, a la longitud correcta y con el patrón de hoyos centrado entre los postes.*

# Instrucciones para la instalación de barandillas en línea Symmetry Signature de 1.83 m y 2.44 m



Perfil del travesaño superior

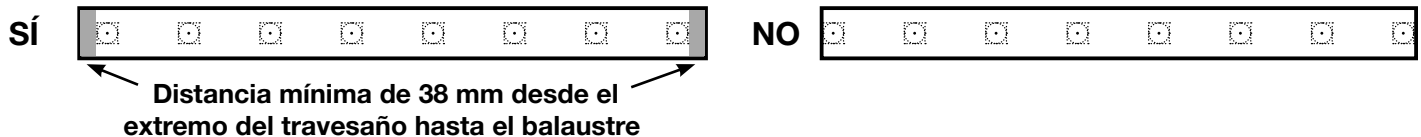


Perfil del travesaño inferior

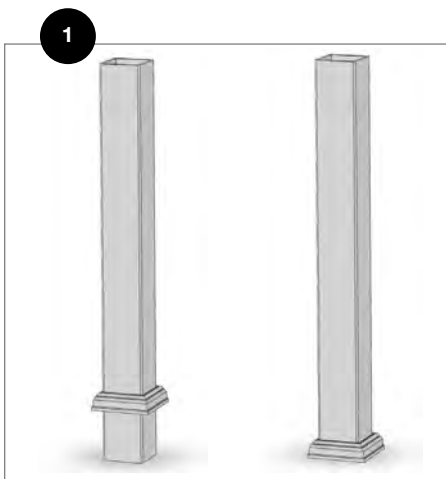
## Herramientas y materiales necesarios:

- Taladro eléctrico
- Protectores oculares
- Cinta métrica
- Nivel
- Escuadra triangular de acero
- Sierra ingletadora
- Lápiz
- Escuadra ajustable

**Antes de instalar las barandillas:** Sírvase consultar las leyes de zonificación locales con respecto a los requerimientos de carga y de espacio inferior para los travesaños. Todas las estructuras de soporte deben cumplir con los códigos de construcción vigentes. Las asociaciones de vecinos y los distritos históricos pueden regular el tamaño, la posición y el tipo de barandilla. Solicite permisos si así lo requieren las autoridades y códigos locales. Asegúrese de cumplir con la normativa antes de la instalación. Los requerimientos del código de construcción local siempre prevalecen sobre todos y cada uno de los procedimientos y medidas que sugerimos a continuación. Las siguientes instrucciones de instalación están diseñadas como una guía general basada en prácticas de construcción comunes empleadas en la instalación de barandillas.

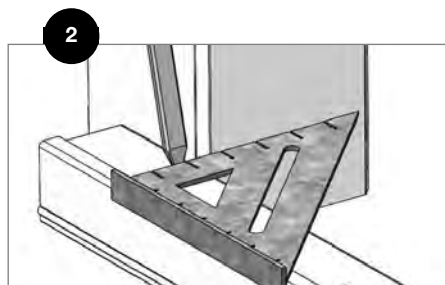


**Instalación del travesaño:** Si la longitud del travesaño superior e inferior es mayor a la distancia entre los postes, recorte ambos extremos del travesaño para mantener una separación uniforme de los balaustres. Es de vital importancia que la marca de recorte no interfiera con los balaustres una vez instalados.



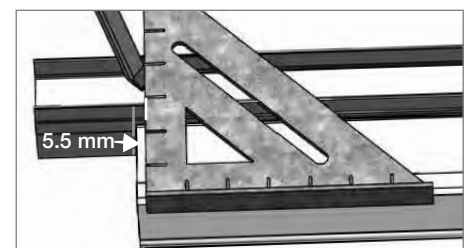
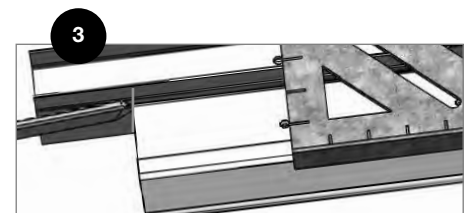
*Nota: antes de instalar la barandilla, asegúrese de que los postes estén a plomo y a nivel.*

Utilizando fundas para poste, cubra los postes de 10 x 10 cm o el soporte de montaje en superficie de Fiberon y verifique la separación. Los postes deben estar a plomo en ambas direcciones. Coloque la moldura de base de la funda para poste sobre la funda para poste y deslícela hasta la superficie del entablado.



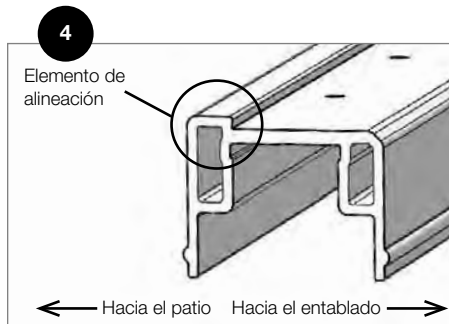
En el travesaño inferior, mida la distancia entre los postes. Centre el patrón de hoyos y marque los puntos de corte. Compruebe el calce.

Centre el travesaño inferior con el travesaño superior. Marque y corte al largo correcto.



Alinee la barra H y los patrones de hoyos cortados del travesaño inferior. Marque el largo del travesaño inferior en la barra en H, luego reste 5.5 mm a la medición en cada extremo de dicha barra (11 mm en total para dejar espacio para el grosor del soporte superior) y marque. Corte la barra en H y apártela hasta el paso 7.

# Instrucciones para la instalación de barandillas en línea Symmetry Signature de 1.83 m y 2.44 m



Antes de la instalación, asegúrese de que el travesaño inferior esté colocado en la posición correcta. El travesaño inferior presenta un elemento de alineación en la parte superior, la cual debe quedar en el lado del travesaño que está orientado hacia el patio y en sentido opuesto al lado orientado hacia el entablado.

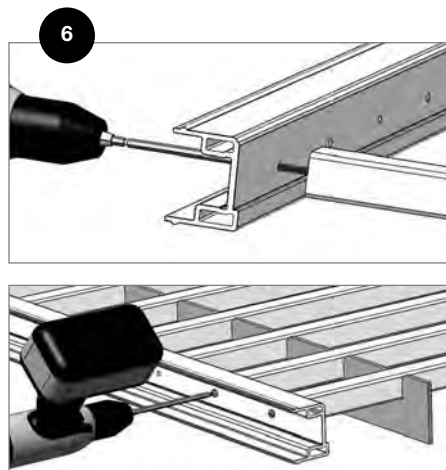


**Balaustres cuadrados de material compuesto:** Mida y recorte todos los balaustres al largo requerido.

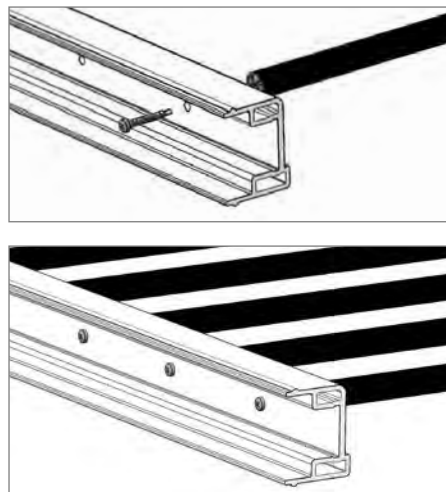
Retire la guía de balaustres de la caja de la barandilla, colóquela en una superficie plana e introduzca los balaustres en las ranuras precortadas.

*Nota: las longitudes de los balaustres cuadrados de material compuesto variarán ligeramente según los procesos de fabricación. Asegúrese de cortar los balaustres a la misma longitud.*

*Nota: no es necesario recortar los balaustres metálicos redondos.*



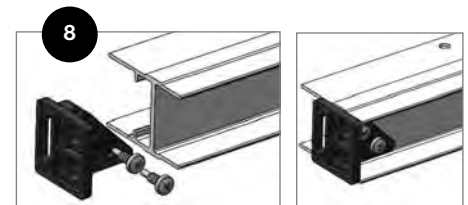
**Balaustres cuadrados de material compuesto:** Alinee el travesaño inferior con los balaustres en el mismo extremo en que está la guía de balaustres. Sujete firmemente los balaustres cuadrados contra el elemento de alineación situado en el travesaño inferior y fije los balaustres al travesaño inferior con los tornillos n.º 10 de 38 mm que se incluyen. No apriete en exceso.



**Balaustres metálicos redondos:** Alinee el balaustre con los hoyos previamente perforados en el travesaño inferior. Inserte el tornillo n.º 10 de 38 mm suministrado a través del hoyo y en el centro ("X") de las aletas dentro del balaustre. No apriete en exceso.

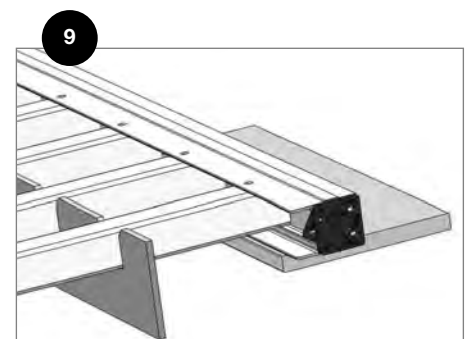


Antes de la instalación, asegúrese de que los soportes estén colocados en la posición correcta. Los soportes indican qué lado estará orientado hacia el entablado.



Inserte completamente los soportes superiores en ambos extremos de la barra en H de aluminio con la flecha apuntando hacia arriba.

Use la plantilla de tornillos integrada para fijar con los tornillos autorroscantes n.º 10 de 16 mm. No apriete en exceso.



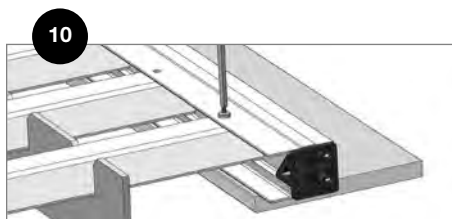
Alinee la barra en H de aluminio con los balaustres, asegurándose de que los hoyos laterales estén orientados hacia arriba.

**Balaustres cuadrados de material compuesto:** Deslice la guía de balaustre hasta el extremo opuesto de los balaustres. Inserte la parte superior de los balaustres en el canal de la barra en H de aluminio.

*Nota: cuando fije los balaustres de material compuesto o metálicos, calce la barra en H con un espaciador de 13 mm – 16 mm para ayudar a asegurar que los balaustres queden perpendiculares a la barra en H.*



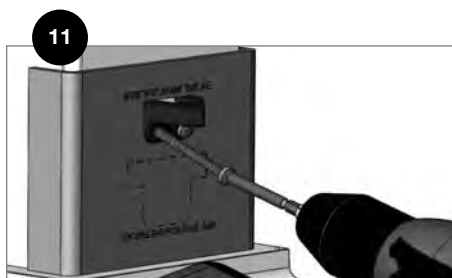
# Instrucciones para la instalación de barandillas en línea Symmetry Signature de 1.83 m y 2.44 m



**Balaustres cuadrados de material compuesto:** Coloque la parte superior de los balaustres firmemente unida a la parte interior de la barra en H superior. Centre los balaustres debajo de los hoyos para tornillos de montaje lateral. Avanzando de un extremo al otro, fije cada balaustre con los tornillos de cabeza plana n.º 8 de 38 mm que se incluyen. No apriete en exceso.



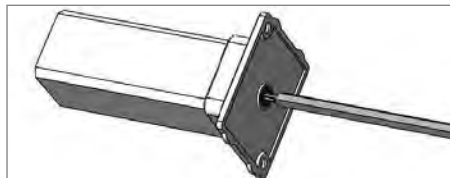
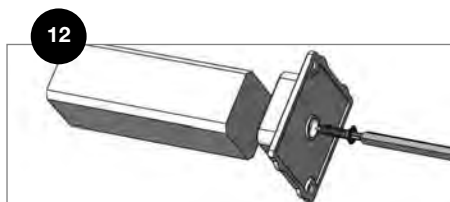
**Balaustres metálicos redondos:** Inserte el tornillo n.º 10 de 38 mm suministrado a través de los hoyos de la barra en H y en el centro ("X") de las aletas dentro del balaustre. Atornille hasta lograr la sujeción. No apriete en exceso.



Tome la plantilla del soporte inferior Symmetry Signature (se incluye en la caja de cartón de fundas para poste y dentro de la caja del kit de travesaños).

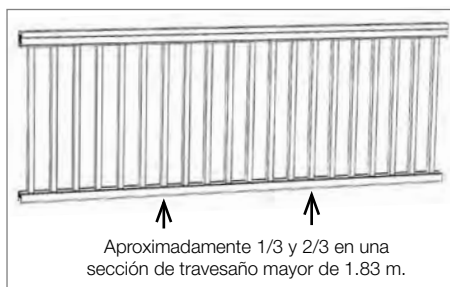
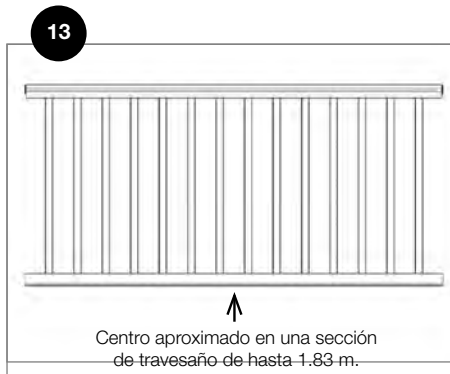
Use la plantilla de soporte inferior para colocar y fijar los soportes inferiores con los tornillos n.º 10 x 64 mm suministrados, asegurándose de que el soporte quede correctamente colocado (ver el paso 7).

La plantilla creará un espacio de 76 mm debajo del travesaño inferior.



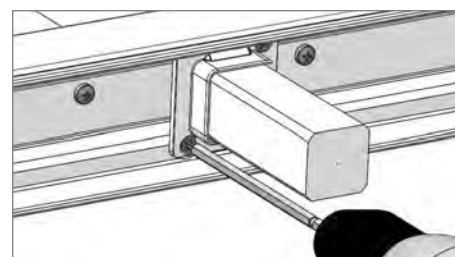
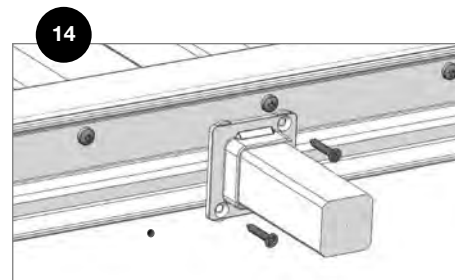
Ajuste en seco, mida y recorte el bloque de soporte al largo final requerido. Fije el bloque de soporte a la base con el tornillo de cabeza plana que se incluye.

*Nota: se requiere utilizar un bloque de soporte de 9.5 cm cuando se utilice la plantilla del soporte. El tornillo estará descentrado en el bloque de soporte.*

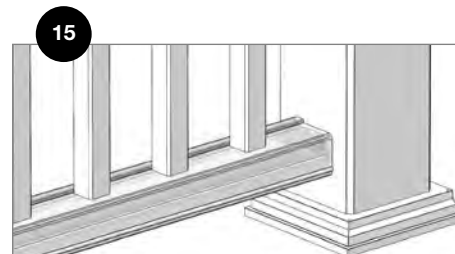


Para las secciones de pasamanos de 1.83 m, posicione el bloque de soporte y la base dentro del travesaño inferior, aproximadamente en el punto central.

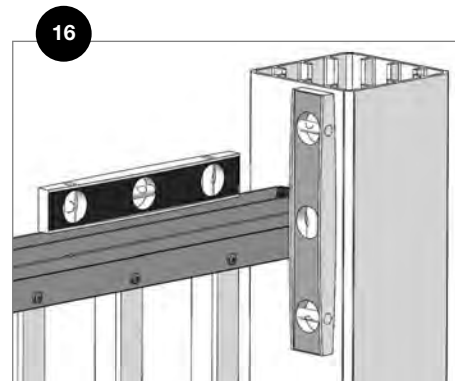
Para las secciones de travesaño de 2.44 m, posicione los dos bloques de soporte y las bases dentro del travesaño inferior, aproximadamente en los puntos de 1/3 y 2/3.



Perfore previamente dos hoyos con una broca de 3.2 mm, cuidando de no perforar la parte superior del travesaño inferior. Fije con los tornillos de cabeza plana que se incluyen. No apriete en exceso.



Coloque con cuidado la barandilla previamente ensamblada en el espacio entre los postes, luego bájela suavemente hasta que quede totalmente asentada sobre los soportes inferiores.

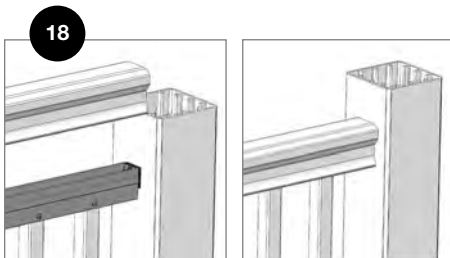


Centre la barra en H en el poste y compruebe que el travesaño esté a plomo.

## Instrucciones para la instalación de barandillas en línea Symmetry Signature de 1.83 m y 2.44 m (cont.)



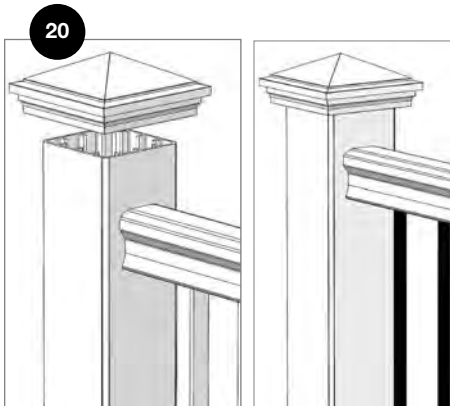
Fije los soportes superiores con los tornillos n.º 10 de 64 mm suministrados.



Coloque el travesaño superior sobre el ensamblaje de la barandilla, y bájelo con cuidado hasta su posición.



Fije el travesaño superior utilizando los tornillos de 38 mm suministrados, comenzando lo más cerca posible del poste. Separe uniformemente los tornillos restantes.



Termine el ensamblaje pegando las tapas de los postes en su sitio con un adhesivo de calidad apto para exteriores.

## Instrucciones para la instalación de barandillas Symmetry Signature - anguladas en línea

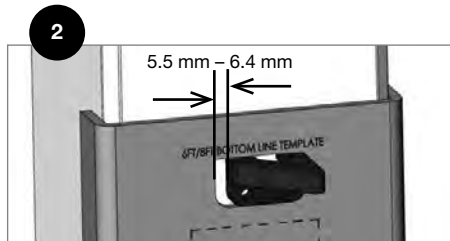


*Nota: las instalaciones en ángulo requieren como mínimo un poste de 12.7 x 12.7 cm.*



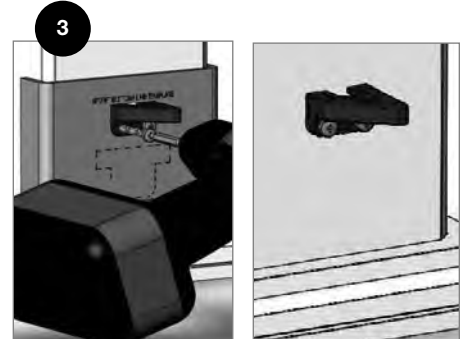
Para la instalación de la línea en ángulo, los soportes deben instalarse con el borde angulado en el lado de la barandilla que queda hacia el entablado.

*Nota: esto es contrario a lo que se indica en el soporte para la instalación básica de barandillas en línea.*

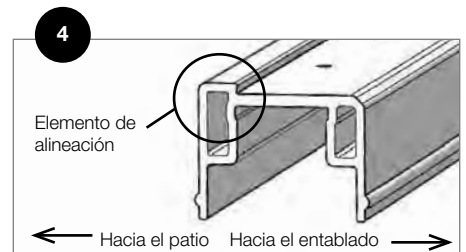


La plantilla aún se puede usar para ubicar la altura del soporte. Para una instalación completa de 45 grados, la alineación adyacente deberá estar a 5.5 mm - 6.4 mm con respecto al centro, desde el lado de la barandilla que queda hacia el entablado.

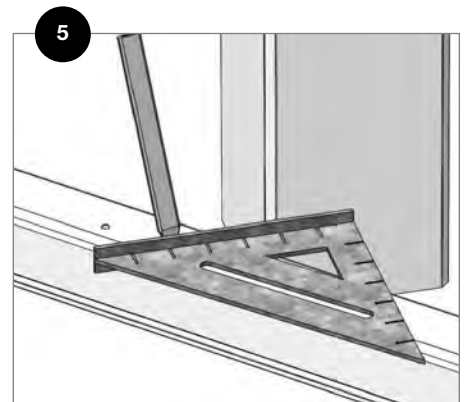
*Nota: si el soporte no se separa ligeramente del centro, el travesaño superior puede sobresalir de la cara del poste de esquina y extenderse hacia el chaflán de esquina.*



Fije con los tornillos autorroscantes n.º 10 de 64 mm que se incluyen. No apriete en exceso.



Antes de cortar el ángulo del travesaño inferior para la instalación, asegúrese de que dicho travesaño esté colocado en la posición correcta. El travesaño inferior presenta un elemento de alineación en la parte superior, la cual debe quedar en el lado del travesaño que está orientado hacia el patio y en sentido opuesto al lado orientado hacia el entablado.



Centre el patrón de hoyos en el travesaño inferior entre los postes. Traslade el largo y el ángulo al travesaño superior y corte el travesaño superior e inferior. Al alinear el patrón de hoyos, trasladar el largo y cortar los ángulos en la barra en H, recuerde restar 5.5 mm de cada extremo a fin de dejar espacio para los soportes superiores.

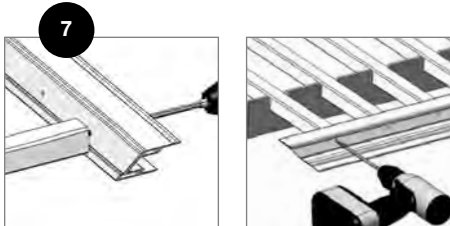
# Instrucciones para la instalación de barandillas Symmetry Signature - anguladas en línea



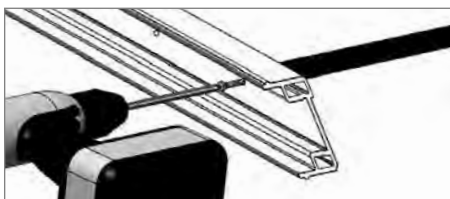
**Balaustres cuadrados de material compuesto:** Mida y recorte todos los balaustres al largo requerido. Retire la guía de balaustres de la caja de la barandilla. Colóquela en una superficie plana e introduzca los balaustres en las ranuras precortadas.

*Nota: las longitudes de los balaustres cuadrados de material compuesto variarán ligeramente según los procesos de fabricación. Asegúrese de cortar los balaustres a la misma longitud.*

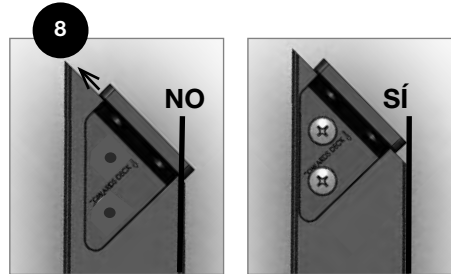
*Nota: no es necesario recortar los balaustres metálicos redondos.*



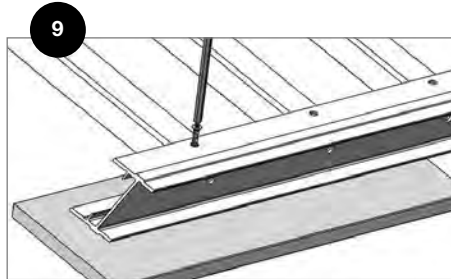
**Balaustres cuadrados de material compuesto:** Alinee el travesaño inferior con los balaustres en el mismo extremo en que está la guía de balaustres. Sujete firmemente los balaustres cuadrados contra el elemento de alineación situado en el travesaño inferior y fije los balaustres al travesaño inferior con los tornillos n.º 10 de 38 mm que se incluyen. No apriete en exceso.



**Balaustres metálicos redondos:** Alinee el balaustre con los hoyos previamente perforados en el travesaño inferior. Inserte el tornillo n.º 10 de 38 mm suministrado a través del hoyo y en el centro ("X") de las aletas dentro del balaustre. No apriete en exceso.

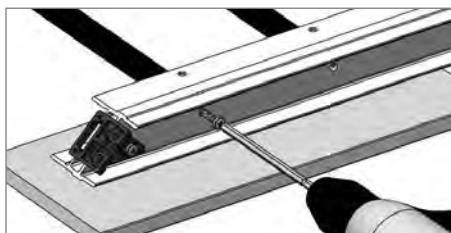


Introduzca los soportes en la cavidad de la barra en H de aluminio, asegurándose de que el soporte superior esté situado dentro de los límites de la barra en H. Si el soporte está fuera de los límites, el travesaño superior no calzará sobre la barra en H y el soporte. Fije con los tornillos autorroscantes n.º 10 de 16 mm suministrados.



**Balaustres cuadrados de material compuesto:** Coloque la parte superior de los balaustres firmemente unida a la parte interior de la barra en H superior. Centre los balaustres debajo de los hoyos para tornillos de montaje lateral. Avanzando de un extremo al otro, fije cada balaustre con los tornillos de cabeza plana n.º 8 de 38 mm que se incluyen. No apriete en exceso.

*Nota: los tornillos deben penetrar por completo a través del balaustre.*

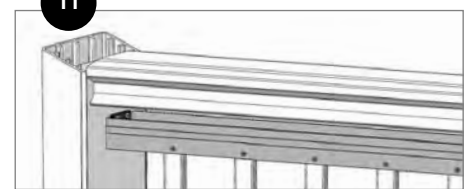


**Balaustres metálicos redondos:** Inserte el tornillo n.º 10 de 38 mm suministrado a través de los hoyos de la barra en H y en el centro ("X") de las aletas dentro del balaustre. Atornille hasta lograr la sujeción. No apriete en exceso.



Ensamble y fije el bloque de soporte según las instrucciones de las barandillas en línea estándar.

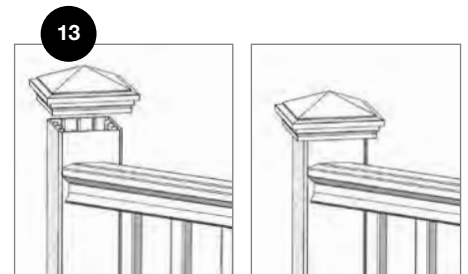
Coloque la barandilla ensamblada sobre los soportes inferiores, y bájela con cuidado hasta su lugar y fije los soportes superiores con los tornillos n.º 10 de 64 mm suministrados.



Coloque el travesaño superior sobre el ensamblaje de la barandilla, y bájelo con cuidado hasta su posición.

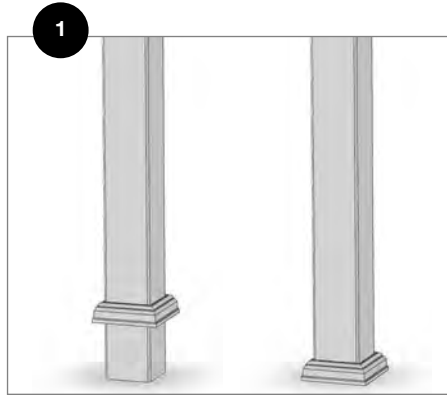
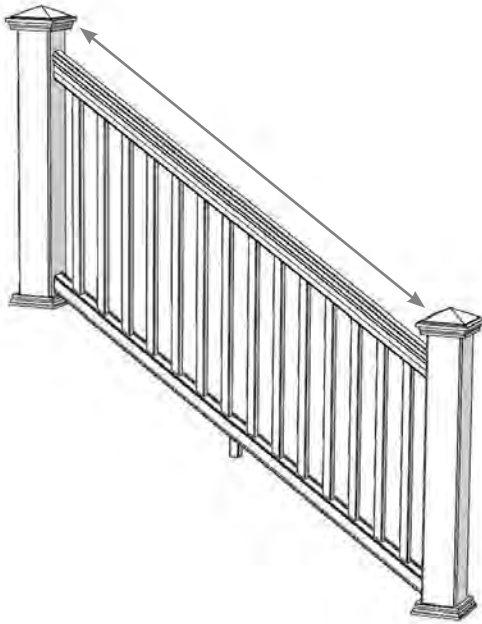


Fije el travesaño superior utilizando los tornillos de 38 mm suministrados, comenzando lo más cerca posible del poste. Separe uniformemente los tornillos restantes.

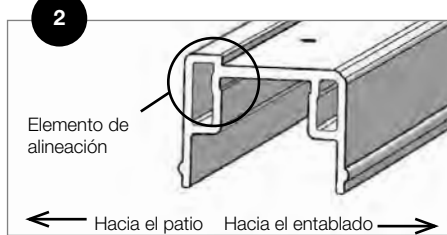


Termine el ensamblaje pegando las tapas de los postes en su sitio con un adhesivo de calidad apto para exteriores.

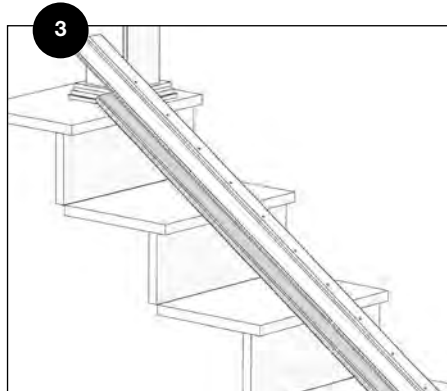
El largo máximo entre las fundas para poste, para el barandal, no puede superar el largo total menos 12.7 cm, dependiendo del kit que se utilice.



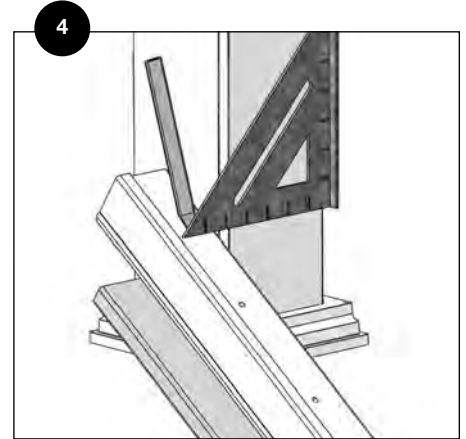
Utilizando fundas para poste, cubra los postes de 10 x 10 cm o el soporte de montaje en superficie de Fiberon y verifique la separación. Los postes deben estar a plomo en ambas direcciones. Coloque la moldura de base de la funda para poste sobre la funda para poste y deslícela hasta la superficie del entablado.



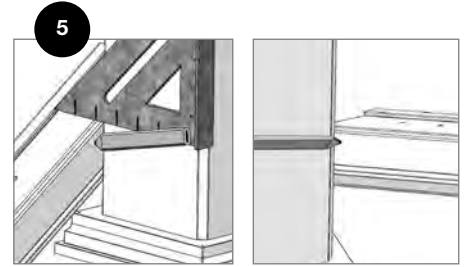
Antes de cortar el ángulo del travesaño inferior para la instalación, asegúrese de que dicho travesaño esté colocado en la posición correcta. El travesaño inferior presenta un elemento de alineación en la parte superior, la cual debe quedar en el lado del travesaño que está orientado hacia el patio y en sentido opuesto al lado orientado hacia el entablado.



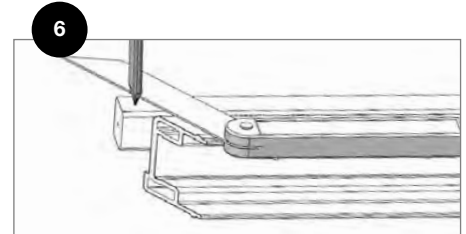
Para establecer el ángulo de la escalera, utilice un soporte de 2.5 cm x 10 cm o similar para conectar al menos tres peldaños. Coloque el travesaño inferior entre los postes de la escalera.



Centre el patrón de hoyos entre los postes, dejando una distancia mínima de 41 mm desde el extremo del travesaño hasta los hoyos perforados en el balaustre.



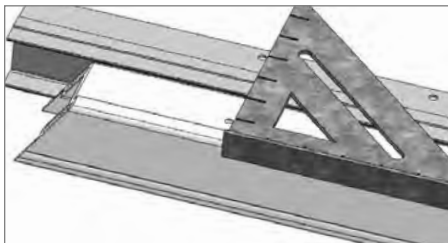
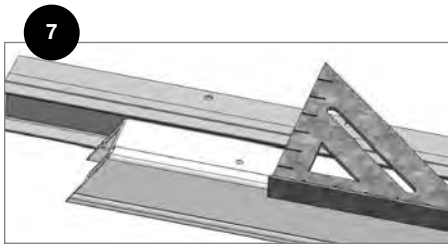
Marque el ángulo de la escalera en ambos extremos del travesaño inferior, y corte este último al largo y ángulo requeridos. Compruebe que haya una correcta sujeción y realice las correcciones que sean necesarias.



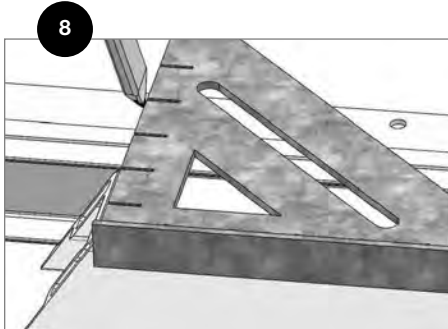
**Balaustres cuadrados de material compuesto:** Marque el ángulo de la escalera en los balaustres y corte estos últimos al largo deseado.

*Nota: los balaustres metálicos redondos están precortados en un extremo. Si se requiere un ángulo personalizado, corte el extremo que viene angulado de fábrica y deje el extremo cuadrado como está. Esto permitirá un asiento adecuado cuando se fije la parte superior de los balaustres posteriormente en la instalación.*

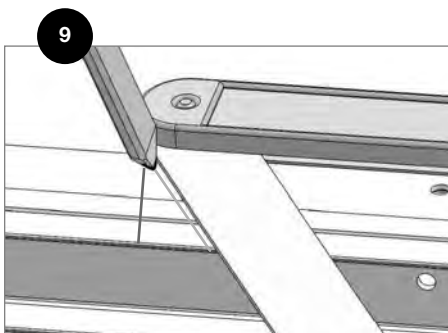
# Instrucciones para la instalación de barandillas de escalera Symmetry Signature de 1.83 m y 2.44 m



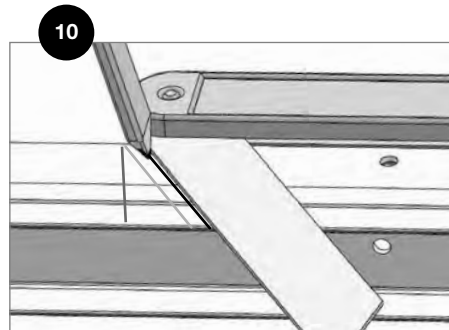
Para cortar la barra en H, primero colóquela sobre uno de sus lados y con los hoyos más cerca del travesaño inferior cortado. El travesaño inferior debe estar con la parte superior hacia arriba. Alinee el patrón de hoyos con el travesaño inferior cortado.



Marque la longitud del travesaño inferior cortado en la barra en H.



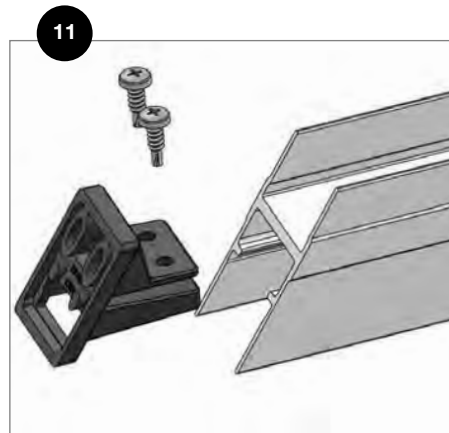
Trace una línea con el ángulo de la escalera en un lado de la barra en H, en ambos extremos.



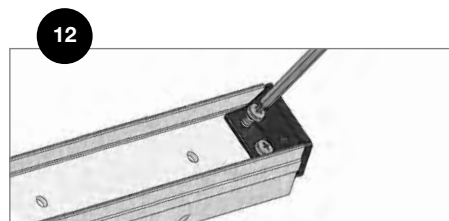
El largo total de la barra en H será 11 mm más corto que el travesaño inferior cortado.

Trace otra línea a 5.5 mm de la primera, hacia el interior, en ambos extremos.

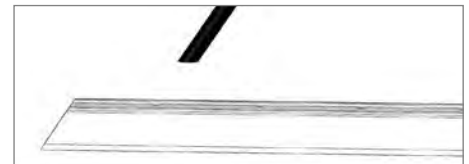
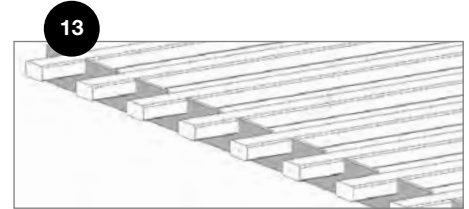
*Nota: esto deja un margen para el grosor del soporte superior.*



Coloque los soportes superiores en la barra en H, cuidando de que queden totalmente insertados.

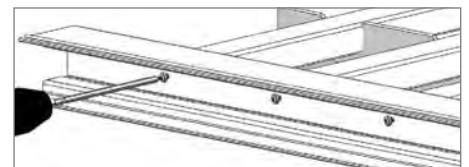
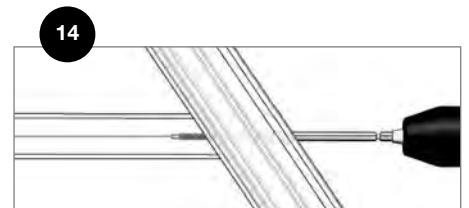


Fije los soportes superiores a la barra en H con dos tornillos de cabeza alomada autorroscantes de 16 mm. No apriete en exceso.



**Balaustres cuadrados de material compuesto:** Retire la guía de balaustres de la caja de la barandilla. Colóquela en una superficie plana e introduzca los balaustres en las ranuras precortadas.

**Balaustres metálicos redondos:** Coloque el travesaño inferior cortado sobre una superficie plana a nivel. Alinee el extremo cortado del balaustre de metal redondo con la superficie superior del travesaño inferior.



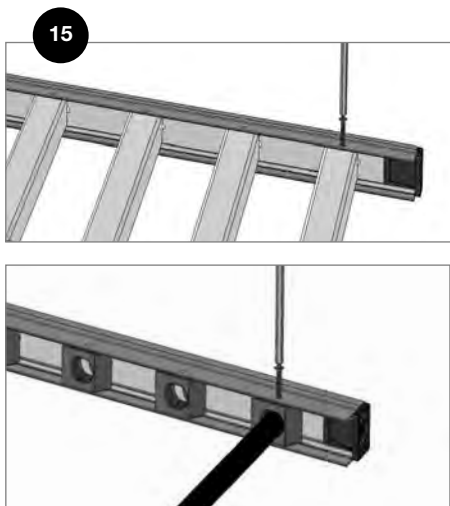
**Balaustres cuadrados de material compuesto:** Alinee el balaustre del extremo con el orificio previamente perforado en el travesaño inferior. Fije los balaustres con los tornillos n.º 10 de 38 mm suministrados.

Sujete firmemente cada balaustre cuadrado de material compuesto contra el elemento de alineación y enrosque los tornillos de forma paralela a los balaustres, no perpendicular al travesaño inferior. No apriete en exceso.

**Balaustres metálicos redondos:** Inserte el tornillo en el centro ("X") del balaustre extremo. Es posible que deba barrenar ligeramente en exceso los hoyos perforados de fábrica, haciendo oscilar la broca en movimiento paralelamente a la dirección del travesaño. No apriete en exceso.

Continúe avanzado desde un extremo hasta que todos los balaustres estén fijados al travesaño inferior.

# Instrucciones para la instalación de barandillas de escalera Symmetry Signature de 1.83 m y 2.44 m



*Nota: al fijar los balaustres, es importante asegurarse de que estén a nivel. Calce la barra en H con un espaciador de 13 mm – 16 mm para asegurar que los balaustres queden totalmente insertados en la barra en H cuando se fijen.*

**Balaustres cuadrados de material compuesto:** Mueva la guía de balaustre hasta el extremo de los balaustres cuadrados de material compuesto que corresponde al travesaño superior.

Coloque la parte superior de los balaustres firmemente unida a la parte interior de la barra en H superior. Centre los balaustres debajo de los hoyos para tornillos de montaje lateral. Avanzando de un extremo al otro, fije cada balaustre con los tornillos de cabeza plana n.º 8 de 38 mm que se incluyen. No apriete en exceso.

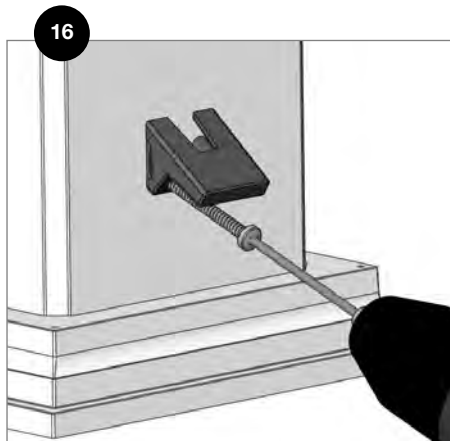
*Nota: los tornillos deben penetrar por completo a través del balaustre.*

Fije el resto de los balaustres avanzando hacia el otro extremo. No apriete en exceso.

**Balaustres metálicos redondos:** Inserte las bases redondas de los balaustres en la barra en H de aluminio, cuidando de que el hoyo angulado quede orientado correctamente y de que el hoyo pasante quede alineado con los hoyos laterales de la barra en H.

Asiente adecuadamente todos los balaustres en las bases. Fije primero un balaustre de extremo con los tornillos autorroscantes de cabeza plana n.º 8 de 38 mm suministrados, a través de los hoyos laterales de la barra en H.

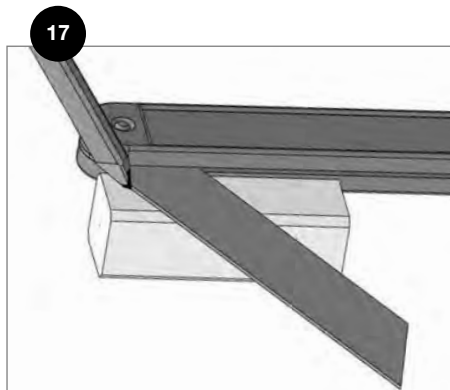
Pivote la barra en H hacia los balaustres restantes, insertándolos en los soportes. Comience por el extremo fijado y avance hacia el otro extremo. Fije el balaustre de extremo restante y luego los balaustres restantes de la barandilla.



Ajuste en seco la sección ensamblada y use el travesaño inferior para trazar una línea recta en el poste para determinar la ubicación del soporte del travesaño inferior.

*Nota: para obtener los mejores resultados perforo previamente los hoyos de soporte en el poste con una broca de 3.2 mm - 4 mm, para asegurar la colocación precisa y la inserción completa de los tornillos, particularmente cuando aumenta el ángulo de la escalera.*

Fije los soportes inferiores de la escalera al poste, a la altura deseada, utilizando los tornillos n.º 10 x 64 mm suministrados. No apriete en exceso.

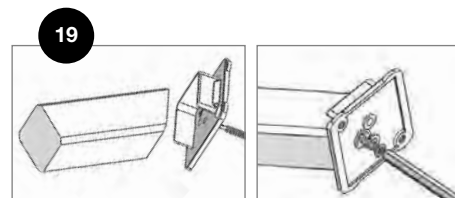


Antes de ensamblar el bloque de soporte, marque el ángulo de la escalera en el extremo de dicho bloque, ajuste en seco y corte al largo deseado.



Para las secciones de travesaño de 1.83 m, posicione el bloque de soporte y la base dentro del travesaño inferior, aproximadamente en el punto central.

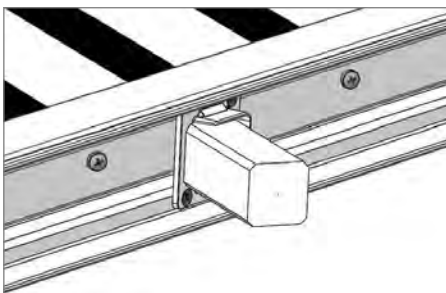
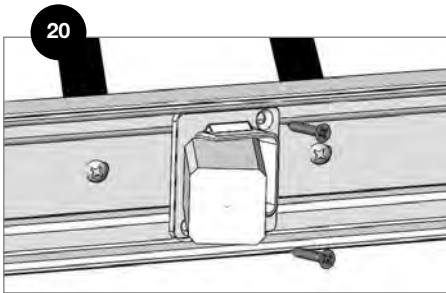
Para las secciones de travesaño de 2.44 m, posicione los dos bloques de soporte y las bases dentro del travesaño inferior, aproximadamente en los puntos de 1/3 y 2/3.



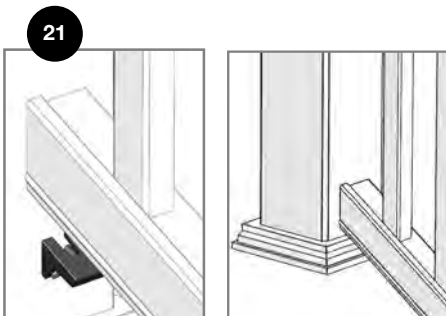
Fije el bloque de soporte a su base con un tornillo de cabeza plana n.º 8 que se incluye. No apriete en exceso.

*Nota: El tornillo estará descentrado en el bloque de soporte.*

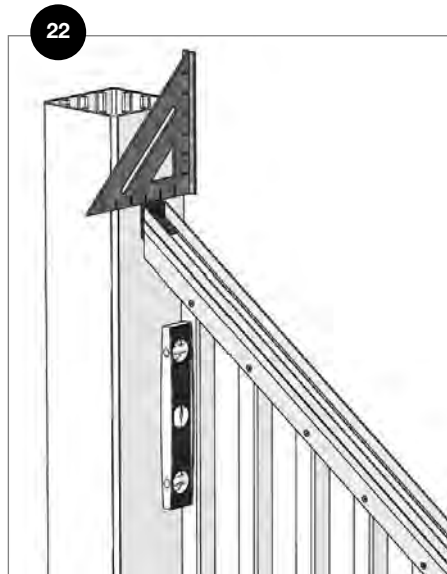
# Instrucciones para la instalación de barandillas de escalera Symmetry Signature de 1.83 m y 2.44 m



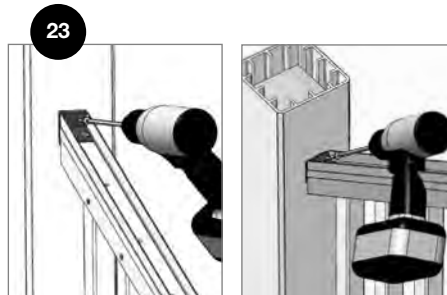
Coloque el bloque de soporte y la base en el travesaño inferior y ubique los dos hoyos para tornillo. Retire la base y realice una perforación previa con una broca de 3.2 mm. Vuelva a colocar el bloque de soporte y la base, y fíjelos con los tornillos n.º 8 de 25 mm que se incluyen. No apriete en exceso.



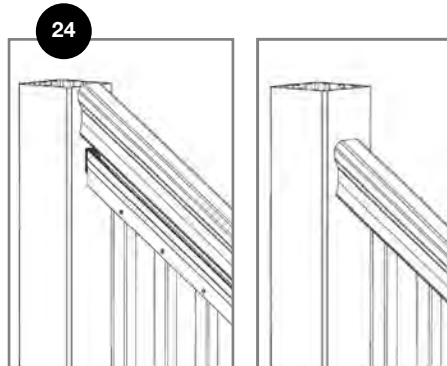
Coloque con cuidado la barandilla previamente ensamblada en el espacio entre los postes, luego bájela suavemente hasta que quede totalmente asentada sobre los soportes inferiores.



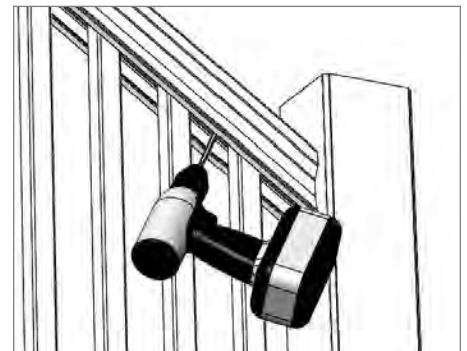
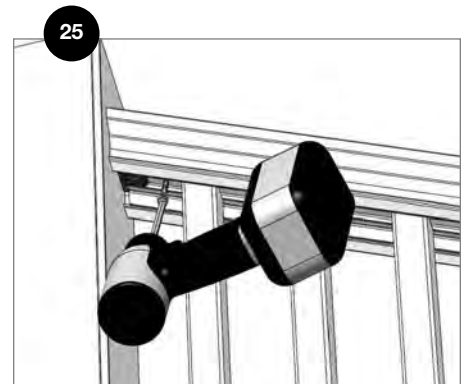
Centre la barra en H en el poste y compruebe que el travesaño esté a plomo.



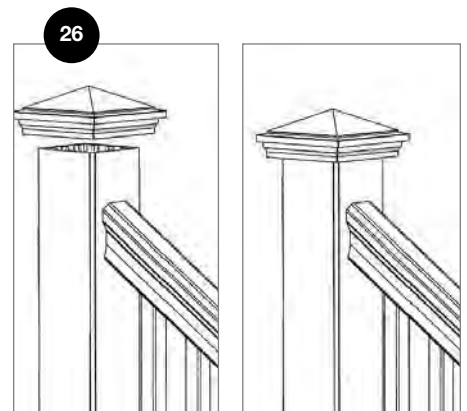
Comenzando por la parte superior, fije la barra en H a los postes en ambos extremos con los tornillos de cabeza alomada autorroscantes n.º 10 de 64 mm que se incluyen. No apriete en exceso.



Coloque el travesaño superior sobre el ensamblaje de la barandilla, y bájelo con cuidado hasta su posición.



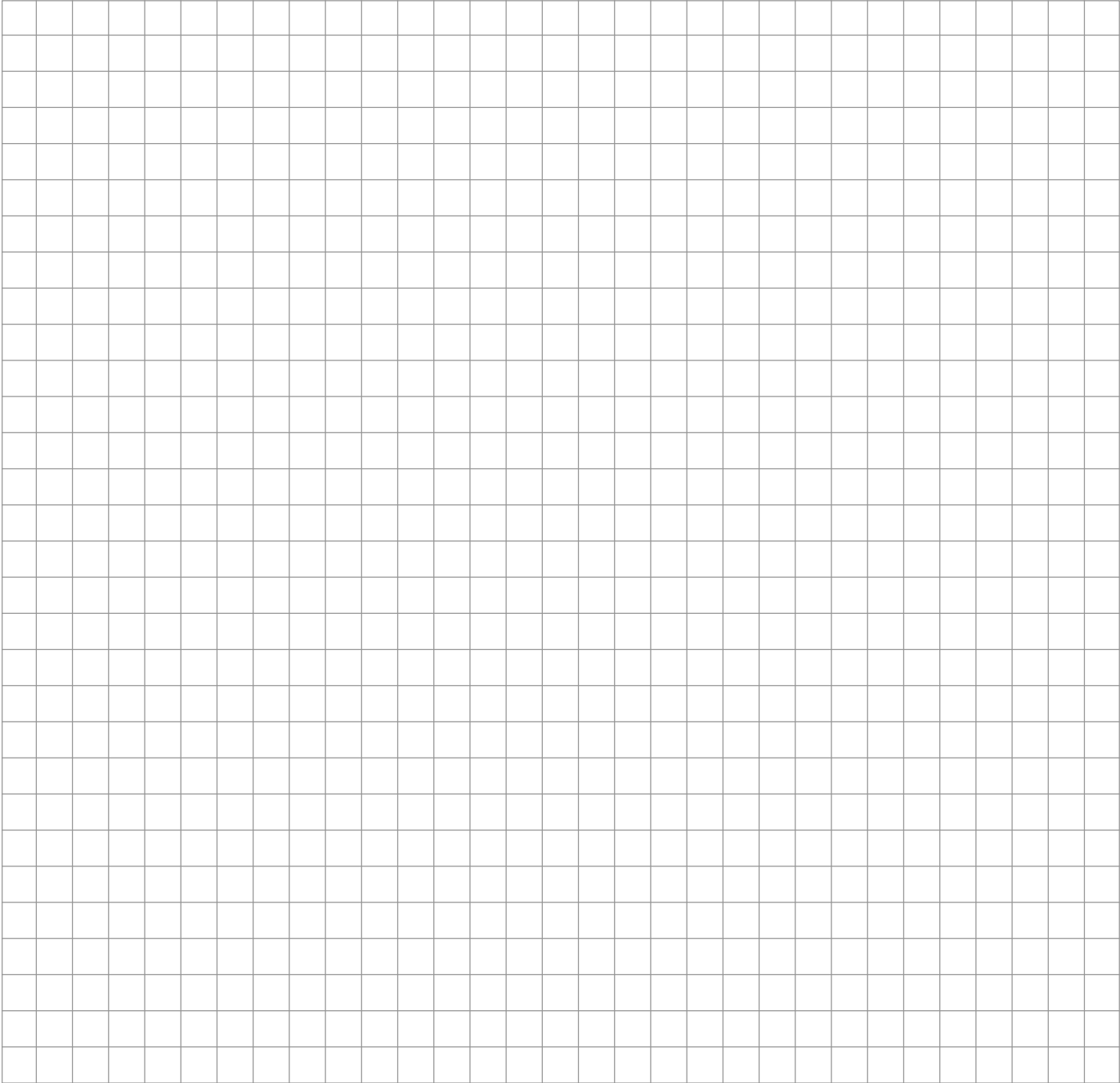
Fije el travesaño superior utilizando los tornillos de 38 mm suministrados, comenzando lo más cerca posible del poste. Separe uniformemente los tornillos restantes.



Termine el ensamblaje pegando las tapas de los postes en su sitio con un adhesivo de calidad apto para exteriores.

# Cuadrícula de diseño

---



fiberondecking.com  
1.800.573.8841

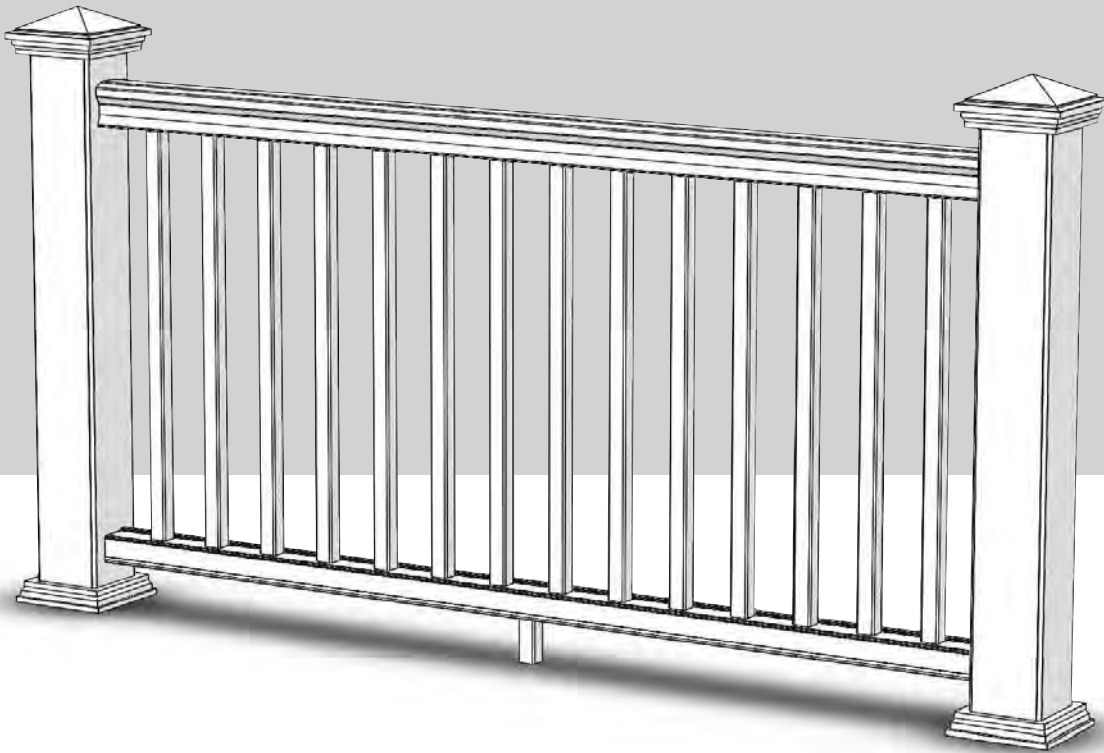




# fiberon® SYMMETRY® SIGNATURE

Rampes horizontales en composite  
à faible entretien

**1,83 m et 2,44 m**  
DIRECTIVES D'INSTALLATION



Fabriqué par

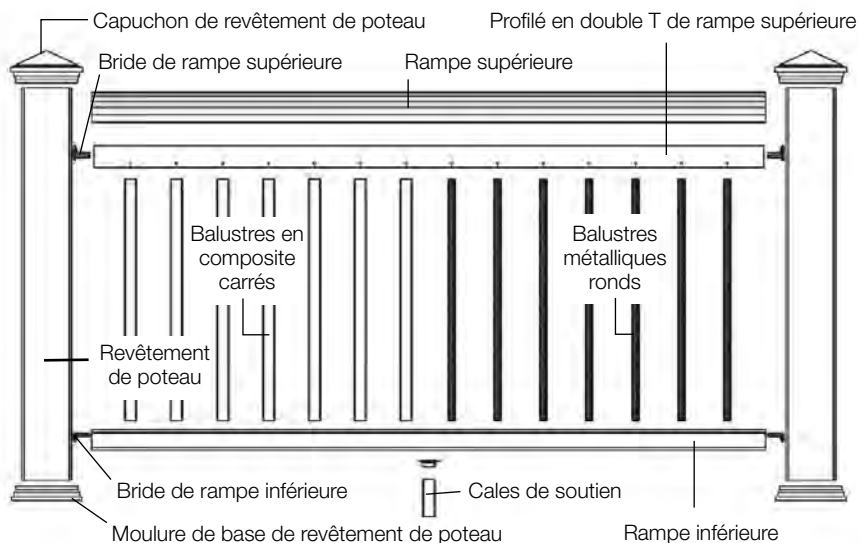
**fiberon®**

fiberondecking.com  
1 800 573-8841

## Liste de composants de rampe pour la section de 1,83 m :

La longueur maximale entre les revêtements de poteau est de 1,7 m.

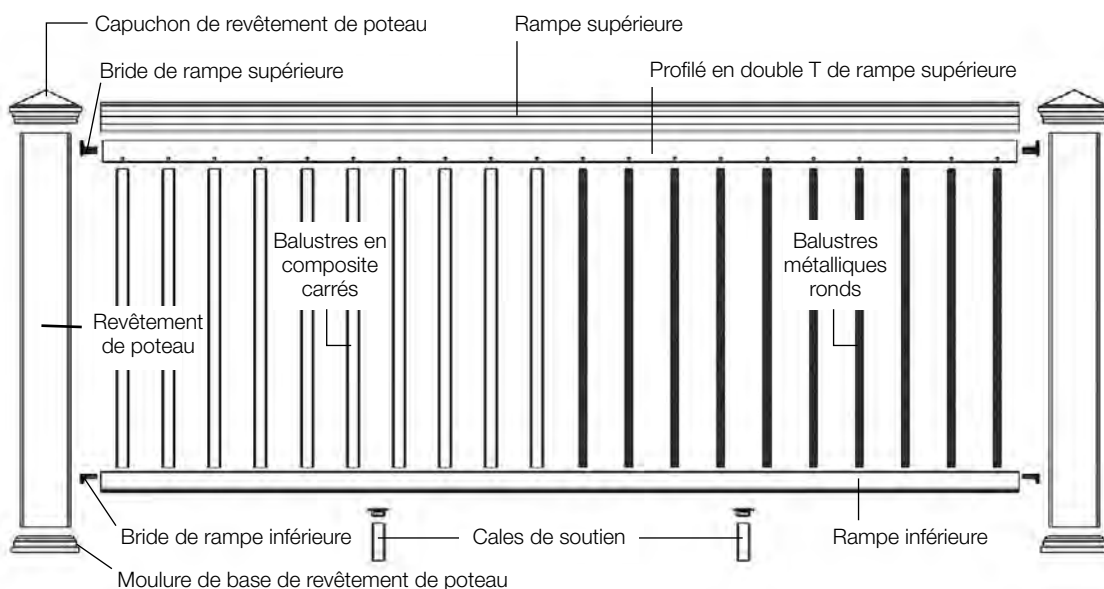
- Rampe supérieure
- Rampe inférieure
- Profilé en H
- Quincaillerie et vis
- 14 balustres
- Cale de soutien
- Capuchon de poteau
- Revêtement de poteau
- Moulure de base de poteau



## Liste de composants de rampe pour la section de 2,44 m :

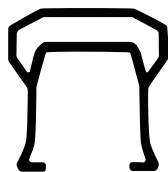
La longueur maximale entre les revêtements de poteau est de 2,3 m.

- Rampe supérieure
- Rampe inférieure
- Profilé en H
- Quincaillerie et vis
- 20 balustres
- 2 Cale de soutien
- Capuchon de poteau
- Revêtement de poteau
- Moulure de base de poteau

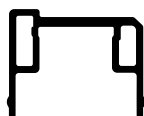


*Remarque : Les longueurs de rampe varient légèrement en raison des procédés de fabrication. S'assurer que les rampes soient coupées correctement à la bonne longueur et que le gabarit de trous soit centré entre les poteaux avant de les fixer.*

## Directives d'installation des rampes Symmetry Signature – Horizontales de 1,83 m et 2,44 m



Profil de la rampe supérieure

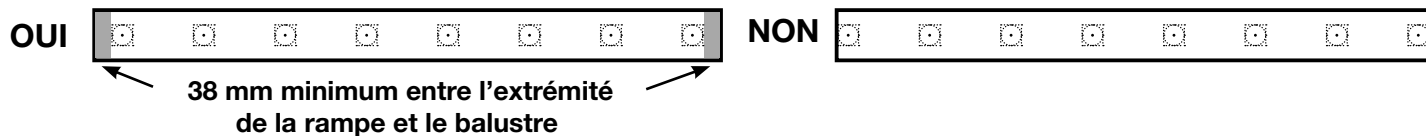


Profil de la rampe inférieure

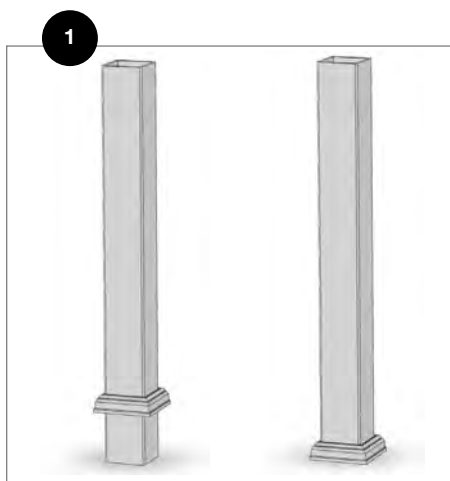
### Outils et accessoires requis :

- Perceuse
- Lunettes de protection
- Ruban à mesurer
- Niveau
- Équerre rapide
- Scie à onglet
- Crayon
- Équerre réglable

**Avant d'installer les rampes :** Consultez les réglementations de zonage locales en matière d'exigences de charge et d'espacement inférieur pour les rampes. Toutes les structures de soutien doivent être conformes avec les codes de construction applicables. Des associations de quartier ou des réglementations en matière de protection du patrimoine peuvent réglementer la dimension, l'emplacement et le type des rampes. Obtenez les permis s'ils sont exigés par les réglementations locales. Assurez-vous de la conformité avant l'installation. Les exigences du code du bâtiment local auront toujours priorité sur les procédures et les mesures suggérées dans les directives d'installation qui suivent. Les directives d'installation suivantes sont données à titre d'indications générales et se fondent sur des pratiques courantes de constructions dans les installations de balustrades.

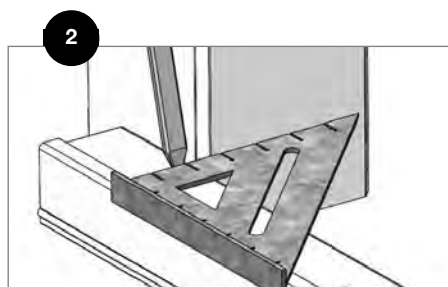


**Installation des rampes :** Lorsque la longueur de la rampe supérieure et de la rampe inférieure est plus grande que la distance entre les poteaux, coupez les deux extrémités de la rampe de manière à maintenir un espacement uniforme des balustres. Il est essentiel de vous assurer que la ligne de coupe n'interfère pas avec les balustres une fois l'installation terminée.



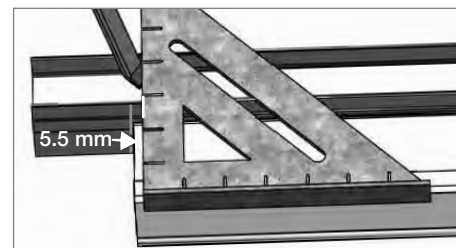
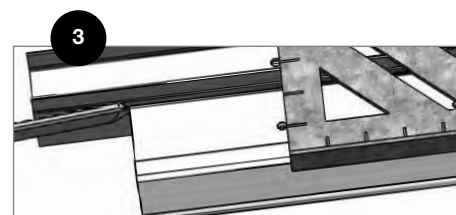
*Remarque :* Vérifiez que les poteaux sont à la verticale et au niveau avant d'installer la rampe.

Couvrez les poteaux de 10 x 10 cm ou les supports de montage en surface Fiberon avec un revêtement de poteau et vérifiez l'espacement. Les poteaux devraient être d'aplomb dans les deux directions. Placez la moulure de base de revêtement de poteau par-dessus le revêtement de poteau et glissez-la jusqu'à la surface de la terrasse.



Mesurez la distance entre les poteaux pour la rampe inférieure. Centrez le patron de trous, puis marquez les points de découpage. Vérifiez l'ajustement.

Centrez la rampe inférieure avec la rampe supérieure. Marquez et coupez à la longueur.

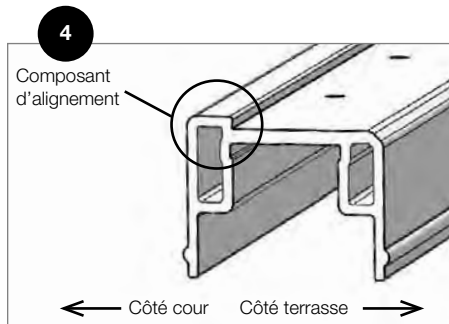


Alignez le fer en double T avec le gabarit de trous qui est découpé dans la rampe inférieure. Marquez la longueur de la rampe inférieure sur le fer en double T puis soustrayez 5,5 mm de cette mesure à chaque extrémité du fer en double T (11 mm en tout pour accommoder l'épaisseur de la bride supérieure), puis marquez. Coupez le fer en double T puis mettez-le de côté jusqu'à l'étape 7.

Les directives d'installation les plus récentes sont disponibles sur notre site Web.

Visitez l'adresse <https://www.fiberondecking.com/resources/installation-instructions> ou téléphonez au centre de soutien technique et de service à la clientèle au 1 800 573-8841.

## Directives d'installation des rampes Symmetry Signature – Horizontales de 1,83 m et 2,44 m



Assurez-vous que la rampe inférieure soit positionnée correctement avant l'installation. La rampe inférieure comporte un composant d'alignement sur le dessus, qui devrait se trouver du côté cour de la rampe, à l'opposé du côté terrasse.

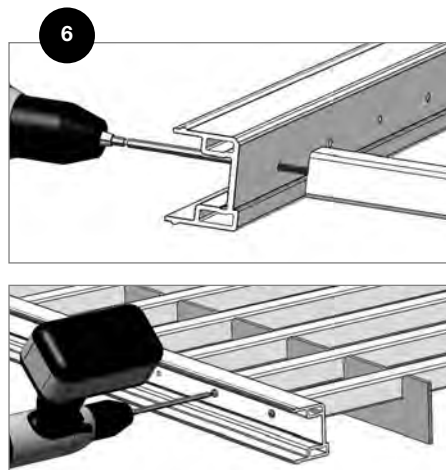


**Balustres en composite carrés :** Mesurez et coupez tous les balustres à la longueur requise.

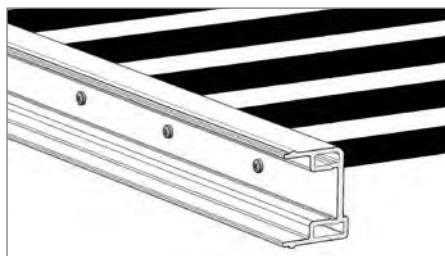
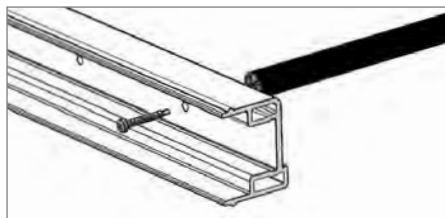
Retirez le guide de balustre de la boîte de la rampe, placez-le sur une surface plane et insérez les balustres dans les fentes prédécoupées.

*Remarque : Les longueurs des balustres en composite carrés varient légèrement en raison des procédés de fabrication. Assurez-vous que les balustres sont coupés selon une longueur uniforme.*

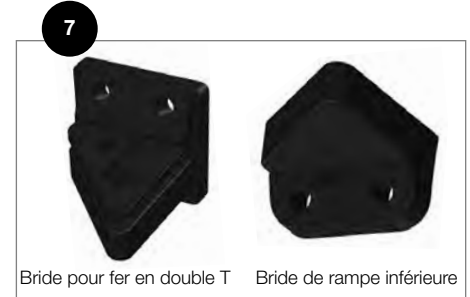
*Remarque : Les balustres métalliques ronds n'ont pas besoin d'être coupés.*



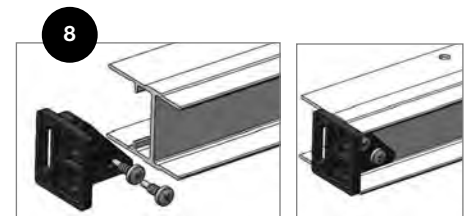
**Balustres en composite carrés :** Alignez la rampe inférieure avec les balustres à la même extrémité que le guide de balustre. Maintenez fermement les balustres carrés contre le composant d'alignement sur la rampe inférieure, puis fixez les balustres à la rampe inférieure à l'aide des vis n° 10 de 38 mm fournies. Ne pas trop serrer.



**Balustres métalliques ronds :** Alignez le balustre avec les trous prépercés dans la rampe inférieure. Insérez les vis n° 10 de 38 mm fournies dans les trous et dans le centre (« X ») des longerons à l'intérieur des balustres. Ne pas trop serrer.

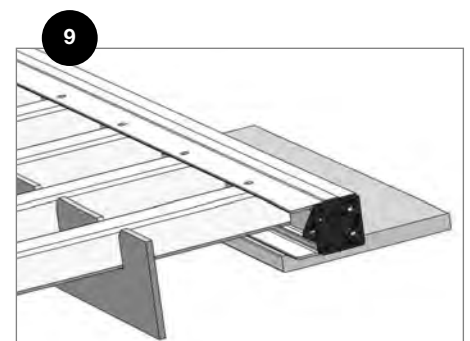


Assurez-vous que les brides soient positionnées correctement avant l'installation. Les brides indiquent le côté qui fera face à la terrasse.



Insérez entièrement les brides supérieures aux deux extrémités du fer en double T en aluminium avec la flèche pointant vers le haut.

À l'aide du gabarit de vis intégré, fixez avec des vis autotaraudeuses n° 10 de 16 mm. Ne pas trop serrer.

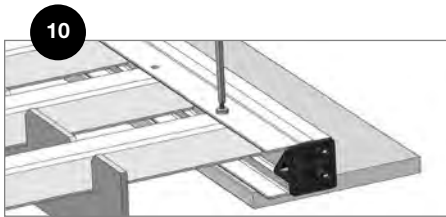


Alignez le fer en double T en aluminium avec les balustres en veillant à ce que les trous latéraux soient orientés vers le haut.

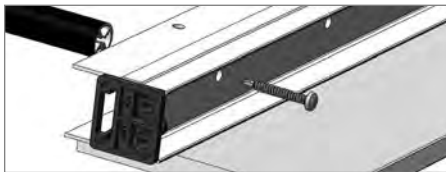
**Balustres en composite carrés :** Glissez le guide de balustre vers l'extrémité opposée des balustres. Insérez le haut des balustres complètement dans le profilé du fer en double T en aluminium.

*Remarque : Lors de la mise en place des balustres en composite ou en métal, placez une entretoise de 13 à 16 mm pour vous assurer que les balustres restent perpendiculaires au profilé en double T.*

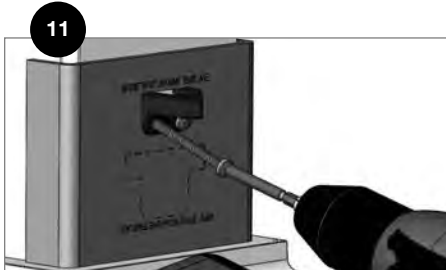
## Directives d'installation des rampes Symmetry Signature – Horizontales de 1,83 m et 2,44 m



**Balustres en composite carrés :** Positionnez le dessus des balustres fermement contre l'intérieur du profilé en double T supérieur. Centrez les balustres sous les trous de vis de montage latéral. En travaillant d'une extrémité à l'autre, fixez chaque balustrade à l'aide des vis à tête fraisée n° 8 de 38 mm fournies. Ne pas trop serrer.



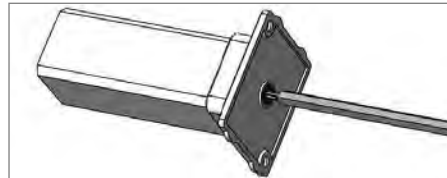
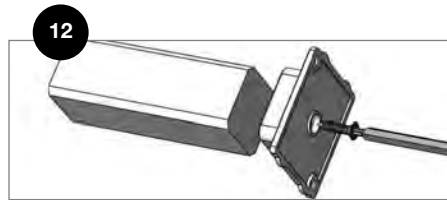
**Balustres métalliques ronds :** Insérez les vis n° 10 de 38 mm fournies dans les trous du profilé en double T et dans le centre (« X ») des longerons à l'intérieur des balustres. Vissez jusqu'à ce que tout soit bien fixé. Ne pas trop serrer.



Repérez le gabarit de bride horizontale inférieure Symmetry Signature (dans la boîte du revêtement de poteau et à l'intérieur de la boîte de la trousse pour rampes).

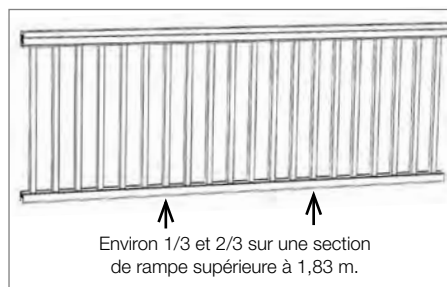
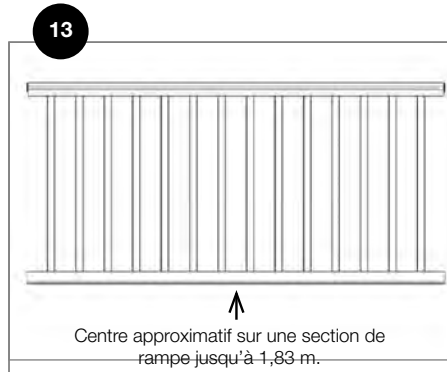
À l'aide du gabarit de bride inférieure, positionnez et fixez les brides inférieures en utilisant les vis n° 10 de 64 mm en vous assurant que la bride est correctement positionnée (voir l'étape 7).

Le gabarit créera un espacement de 76 mm sous la rampe inférieure.



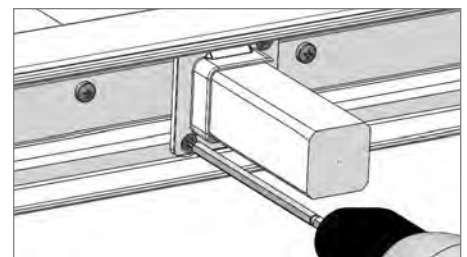
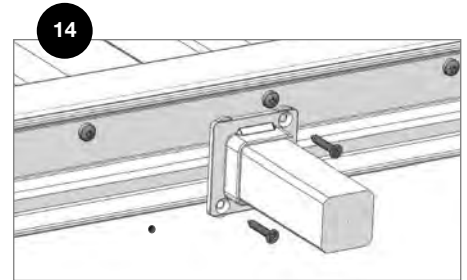
Ajustez à sec, mesurez et taillez la cale de soutien à la longueur finale requise. Fixez la cale de soutien au support à l'aide d'une vis à tête fraisée fournie.

*Remarque :* Lorsque vous utilisez un gabarit de bride, une grande cale de soutien de 95 mm est nécessaire. La vis sera décalée par rapport au centre dans la cale de soutien.

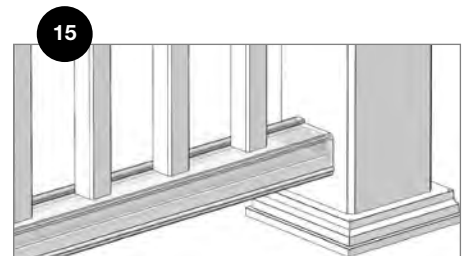


Pour les sections de rampe de 1,83 m, positionnez la cale de soutien et le support à l'intérieur de la rampe inférieure environ au centre.

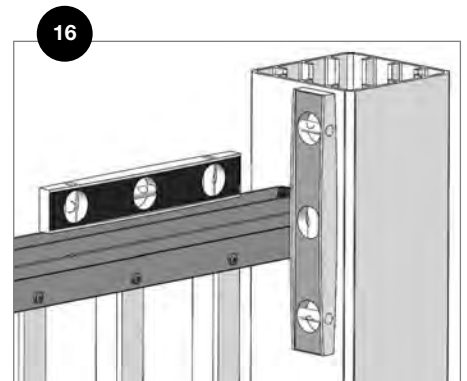
Pour les sections de rampe de 2,44 m, positionnez les deux cales de soutien et les supports à l'intérieur de la rampe inférieure, environ au tiers et aux deux tiers de la longueur.



Prépercez deux trous avec un foret de 3 mm, en faisant attention de ne pas percer à travers le dessus de la rampe inférieure. Fixez avec les vis à tête fraisée fournies. Ne pas trop serrer.

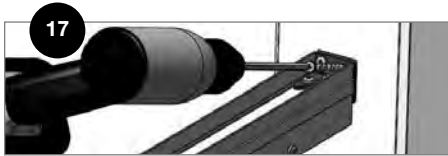


Positionnez soigneusement la portion de rampe préassemblée entre les poteaux, puis abaissez lentement sur les brides inférieures jusqu'à ce qu'elle soit entièrement calée.

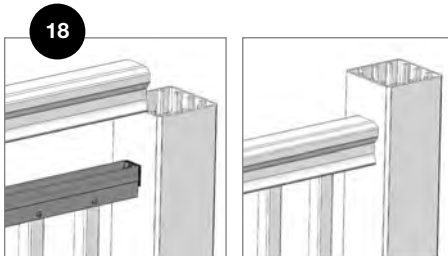


Centrez le profilé en double T sur le poteau et vérifiez que tout est droit et vertical.

## Directives d'installation des rampes Symmetry Signature – Horizontales de 1,83 m et 2,44 m (suite)



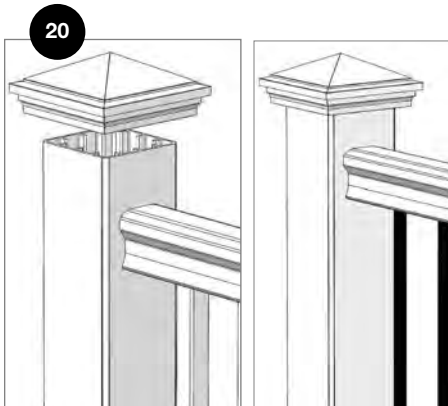
Fixez les brides supérieures à l'aide des vis n° 10 de 64 mm fournies.



Positionnez la rampe supérieure au-dessus de l'assemblage intérieur, puis abaissez soigneusement pour mettre en place.



À l'aide des vis de 38 mm, fixez la rampe supérieure en commençant le plus près possible du poteau. Puis, espacer le restant des vis uniformément.



Complétez l'assemblage en collant les capuchons de poteau en place à l'aide d'un adhésif conçu pour l'extérieur.

## Directives d'installation des rampes Symmetry Signature – EN angle

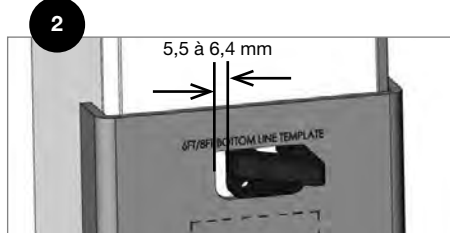


Remarque : Les installations en angle nécessitent un poteau d'au moins 12,7 x 12,7 cm.



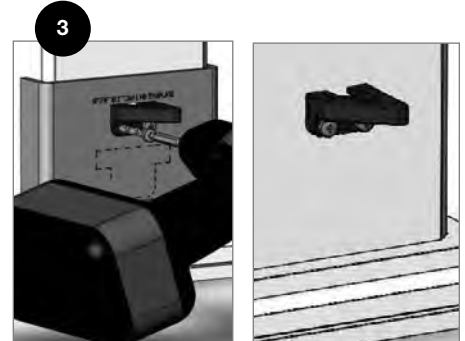
Pour une installation horizontale en angle, les brides devront être installées de manière à ce que le rebord angulaire soit du côté terrasse de la rampe.

Remarque : Il s'agit du contraire de ce qui est indiqué sur la bride pour l'installation de la rampe horizontale de base.

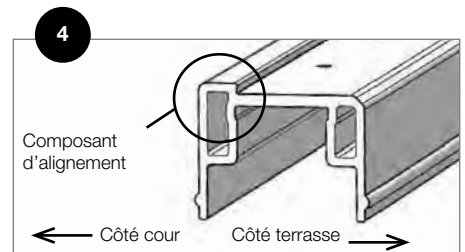


Le gabarit peut quand même être utilisé pour trouver la hauteur de la bride horizontale. L'alignement côte à côte doit être décentré d'environ 5,5 à 6,4 mm du côté terrasse de la rampe pour une installation entièrement à 45 degrés.

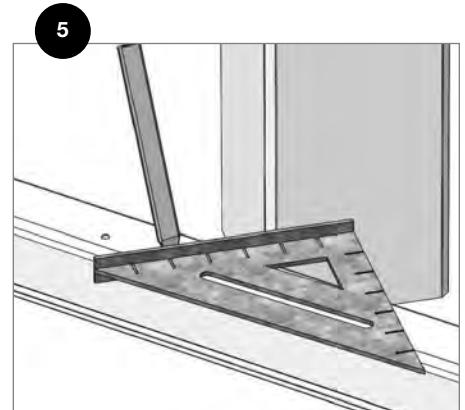
Remarque : Si la bride n'est pas légèrement décalée, la rampe supérieure risque de surplomber la face du poteau de coin et s'étendre par-dessus le chanfrein en coin.



Fixez à l'aide des vis autotaraudeuses n° 10 de 64 mm fournies. Ne pas trop serrer.



Assurez-vous que la rampe inférieure soit positionnée correctement avant de couper l'angle de celle-ci en vue de l'installer. La rampe inférieure comporte un composant d'alignement sur le dessus, qui devrait se trouver du côté cour de la rampe, à l'opposé du côté terrasse.



Centrez le gabarit de trous sur la rampe inférieure entre les poteaux. Transférez la longueur et l'angle sur la rampe supérieure, puis coupez les rampes inférieure et supérieure. Lors de l'alignement du gabarit de trous, du transfert de la longueur et de la découpe des angles sur le fer en double T, n'oubliez pas de soustraire 5,5 mm à chaque extrémité afin de laisser suffisamment d'espace pour les brides supérieures.

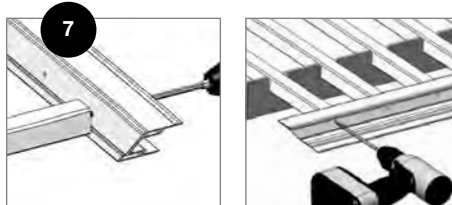
## Directives d'installation des rampes Symmetry Signature – EN angle



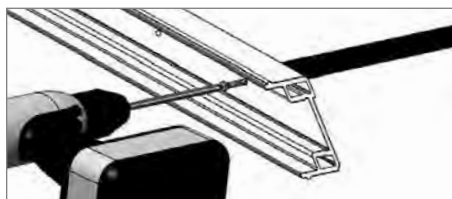
**Balustres en composite carrés :** Mesurez et coupez tous les balustres à la longueur requise. Retirez le guide de balustre de la boîte de la rampe. Placez-le sur une surface plane et insérez les balustres dans les fentes prédecoupées.

*Remarque :* Les longueurs des balustres en composite carrés varient légèrement en raison des procédés de fabrication. Assurez-vous que les balustres sont coupés selon une longueur uniforme.

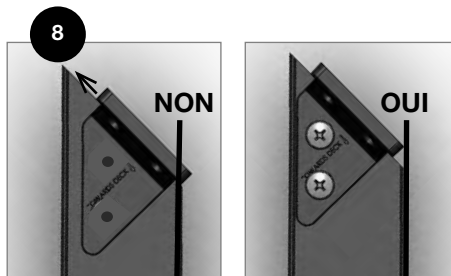
*Remarque :* Les balustres métalliques ronds n'ont pas besoin d'être coupés.



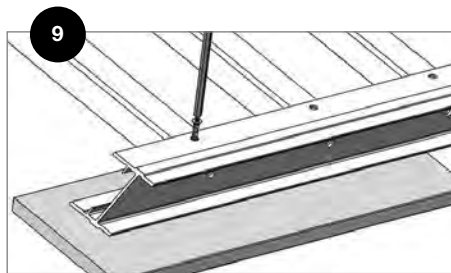
**Balustres en composite carrés :** Alignez la rampe inférieure avec les balustres à la même extrémité que le guide de balustre. Maintenez fermement les balustres carrés contre le composant d'alignement sur la rampe inférieure, puis fixez les balustres à la rampe inférieure à l'aide des vis n° 10 de 38 mm fournies. Ne pas trop serrer.



**Balustres métalliques ronds :** Alignez le balustre avec les trous prépercés dans la rampe inférieure. Insérez les vis n° 10 de 38 mm fournies dans les trous et dans le centre (« X ») des longerons à l'intérieur des balustres. Ne pas trop serrer.

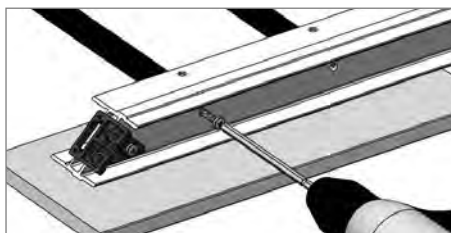


Insérez les brides supérieures dans la cavité du fer en double T en aluminium, en vous assurant que la bride supérieure se trouve à l'intérieur des limites du fer en double T. Si la bride se trouve à l'extérieur des limites, la rampe supérieure ne sera pas ajustée par-dessus le fer en double T et la bride. Fixez avec les vis autotaraudeuses n° 10 de 16 mm fournies.

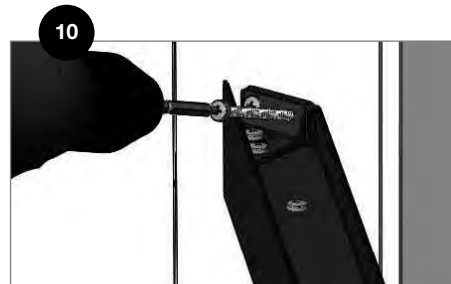


**Balustres en composite carrés :** Positionnez le haut des balustres fermement contre l'intérieur du fer en double T supérieur. Centrez les balustres sous les trous de vis de montage latéral. En travaillant d'une extrémité à l'autre, fixez chaque balustre à l'aide des vis à tête fraisée n° 8 de 38 mm fournies. Ne pas trop serrer.

*Remarque :* Les vis doivent traverser complètement le balustre.

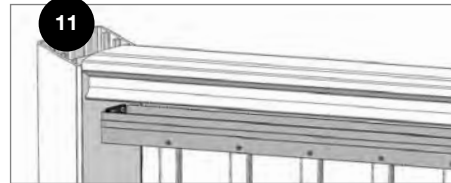


**Balustres métalliques ronds :** Insérez les vis n° 10 de 38 mm fournies dans les trous du profilé en double T et dans le centre (« X ») des longerons à l'intérieur des balustres. Vissez jusqu'à ce que tout soit bien fixé. Ne pas trop serrer.



Assemblez et fixez la cale de soutien selon les directives normales d'installation de rampe horizontale.

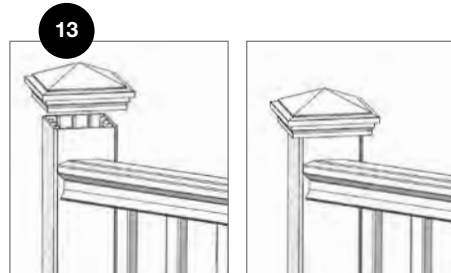
Positionnez l'assemblage au-dessus des brides inférieures et l'abaissez délicatement pour le mettre en place, puis fixez les brides supérieures avec les vis n° 10 de 64 mm fournies.



Positionnez la rampe supérieure au-dessus de l'assemblage intérieur, puis abaissez soigneusement pour mettre en place.

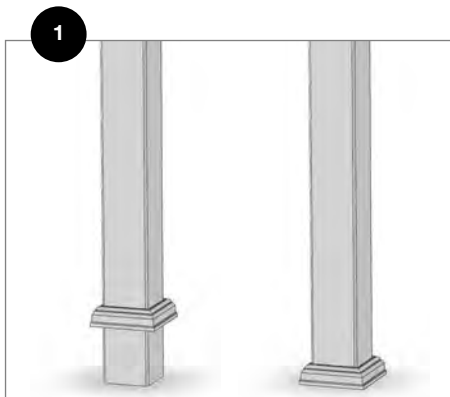


À l'aide des vis de 38 mm, fixez la rampe supérieure en commençant le plus près possible du poteau. Puis, espacez le restant des vis uniformément.

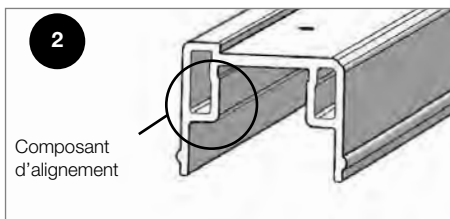


Complétez l'assemblage en collant les capuchons de poteau en place à l'aide d'un adhésif conçu pour l'extérieur.

L'espacement maximum entre les revêtements de poteau, mesuré horizontalement avec la rampe, ne peut être de moins de 12,7 cm par rapport à la longueur totale, selon la trousse utilisée.



Couvrez les poteaux de 10 x 10 cm ou les supports de montage en surface Fiberon avec un revêtement de poteau et vérifiez l'espacement. Les poteaux devraient être d'aplomb dans les deux directions. Placez la moulure de base de revêtement de poteau par-dessus le revêtement de poteau et glissez-la jusqu'à la surface de la terrasse.



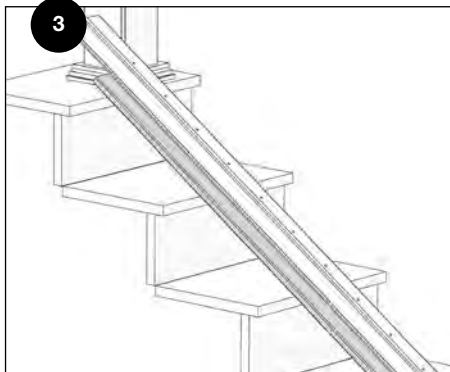
← Côté cour Côté terrasse →

Les codes du bâtiment sont très précis au sujet des angles permis et des largeurs permises. Il est très important de consulter un agent du code du bâtiment local et de concevoir le plan d'escalier en conséquence. Laissez suffisamment d'espace pour une main courante, le cas échéant.

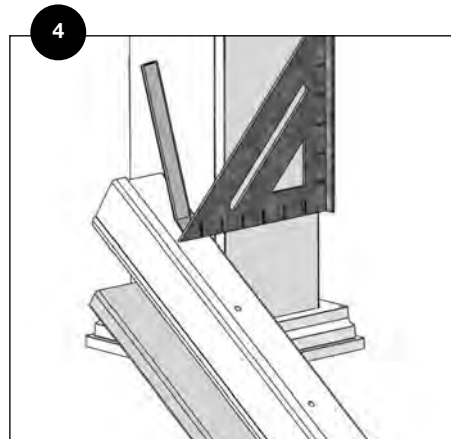
*Remarque : La pente des marches peut varier de 30 à 37 degrés.*

*Remarque : Les longueurs de rampe varient légèrement en raison des procédés de fabrication. Vérifiez que les rampes et traverses soient coupées correctement à la bonne longueur.*

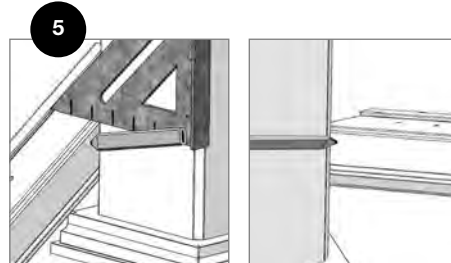
Assurez-vous que la rampe inférieure soit positionnée correctement avant de couper l'angle de celle-ci en vue de l'installer. La rampe inférieure comporte un composant d'alignement sur le dessus, qui devrait se trouver du côté cour de la rampe, à l'opposé du côté terrasse.



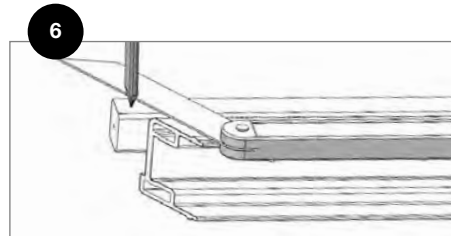
Pour établir l'angle d'escalier, utilisez une planche de 25 mm x 100 mm ou un soutien semblable pour faire un pont sur au moins trois marches. Placez la rampe inférieure entre les poteaux d'escalier.



Centrez le gabarit de trous entre les poteaux en laissant un minimum de 41 mm entre l'extrémité de la rampe et les trous de balustre fraisés.



Transférez l'angle de l'escalier aux deux extrémités de la rampe inférieure et coupez celle-ci à la longueur et à l'angle requis. Faites un essai pour vérifier l'ajustement, puis apportez des corrections au besoin.

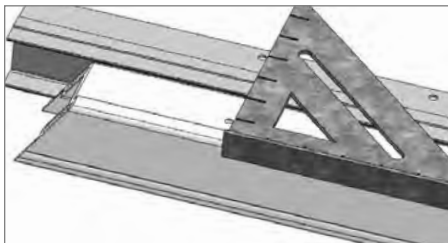
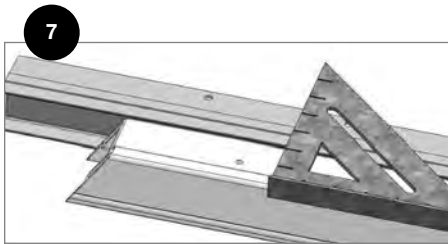


**Balustres en composite carrés :** Transférez l'angle de l'escalier aux balustres, puis coupez ceux-ci à la longueur voulue.

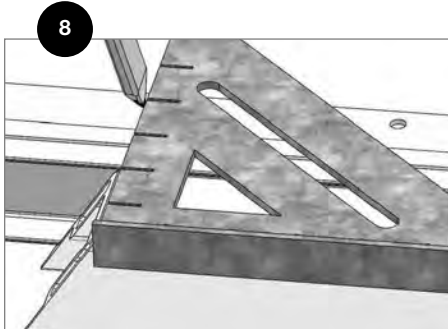
*Remarque : Les balustres métalliques ronds sont pré-coupés à une extrémité. Si un angle personnalisé est nécessaire, coupez l'extrémité coupée en angle à l'usine afin de laisser l'extrémité en angle droit telle quelle. Cela permettra de bien mettre le tout en place en fixant le dessus des balustres à une étape ultérieure de l'installation.*



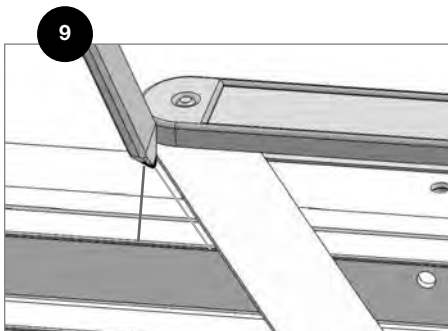
## Directives d'installation des rampes Symmetry Signature – 1,83 m et 2,44 m – Escalier



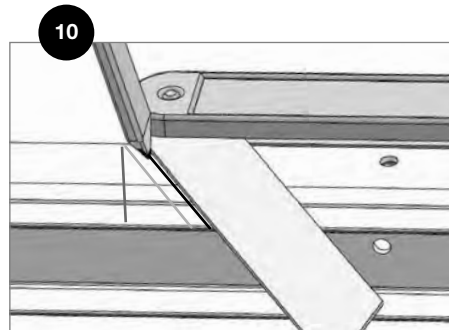
Pour couper le fer en double T, placez d'abord celui-ci sur le côté avec les trous le plus près possible de la rampe inférieure coupée. Le dessus de la rampe inférieure doit être vers le haut. Alignez le gabarit de trous avec la rampe inférieure coupée.



Transférez la longueur de la rampe inférieure coupée au fer en double T.



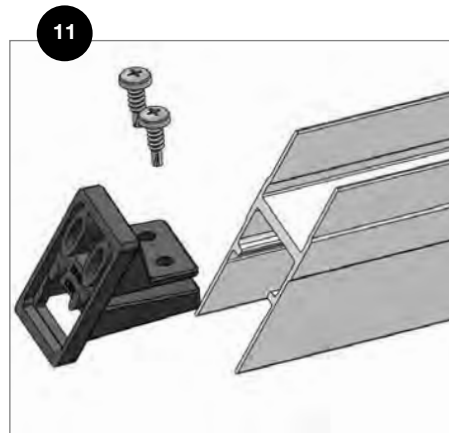
Tracez l'angle d'escalier sur le côté du fer en double T aux deux extrémités.



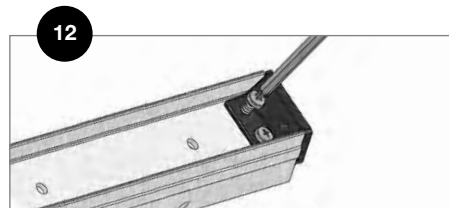
La longueur totale du fer en double T sera de 11 mm plus courte que la rampe inférieure coupée.

Tracez une deuxième ligne à 5,5 mm à l'intérieur de la première, aux deux extrémités.

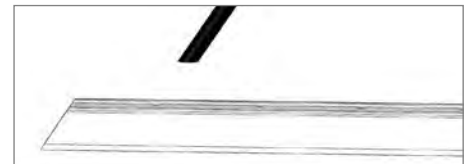
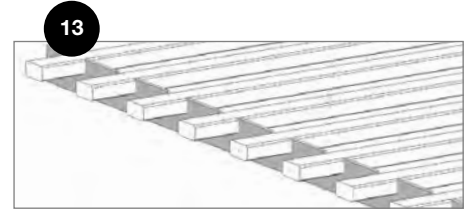
*Remarque : Ceci permet de tenir compte de l'épaisseur de la bride supérieure.*



Placez les brides supérieures dans le fer en double T, en vous assurant que celles-ci soient complètement insérées.

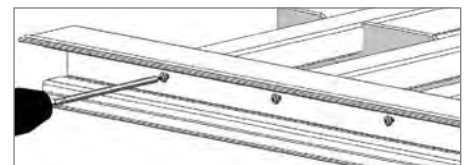
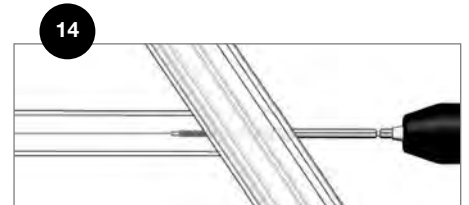


Fixez les brides supérieures au fer en double T en utilisant (deux) vis à tête conique autotaraudeuses de 16 mm. Ne pas trop serrer.



**Balustres en composite carrés :** Retirez le guide de balustre de la boîte de la rampe. Placez-le sur une surface plane et insérez les balustres dans les fentes prédécoupées.

**Balustres métalliques ronds :** Placez la rampe inférieure coupée sur une surface plane. Alignez l'extrémité coupée du balustre métallique rond avec le dessus de la rampe inférieure.



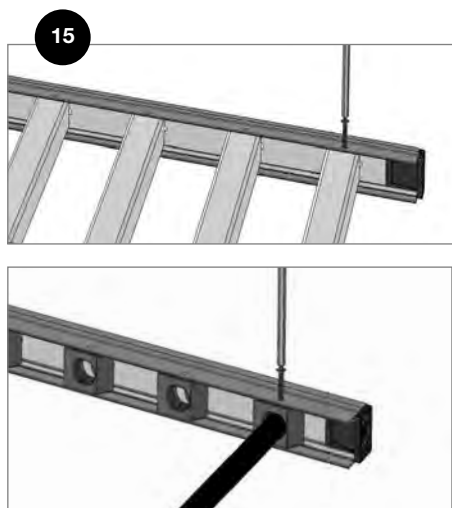
**Balustres en composite carrés :** Alignez le balustre d'extrémité avec le trou déjà percé dans la rampe inférieure. Fixez les balustres à l'aide des vis n° 10 de 38 mm fournies.

Maintenez fermement en place chaque balustre en composite carré contre le composant d'alignement et insérez les vis parallèlement aux balustres et non perpendiculairement à la rampe inférieure. Ne pas trop serrer.

**Balustres métalliques ronds :** Insérez la vis dans le centre (« X ») du balustre final. Il peut être nécessaire de percer un peu plus les trous faits à l'usine en déplaçant le foret dans un mouvement parallèlement à la direction de la rampe. Ne pas trop serrer.

Continuez à travailler d'une extrémité à l'autre jusqu'à ce que tous les balustres soient fixés à la rampe inférieure.

## Directives d'installation des rampes Symmetry Signature – 1,83 m et 2,44 m – Escalier



*Remarque : Il est important de s'assurer que les balustres sont au niveau lorsqu'on fixe ceux-ci. Placez une entretoise de 13 ou 16 mm sur le fer en double T pour vous assurer que les balustres restent bien insérés une fois fixés.*

**Balustres en composite carrés :** Glissez le guide de balustre vers l'extrémité de rampe supérieure des balustres en composite carrés.

Positionnez le haut des balustres fermement contre l'intérieur du fer en double T supérieur. Centrez les balustres sous les trous de vis de montage latéral. En travaillant d'une extrémité à l'autre, fixez chaque balustre à l'aide des vis à tête fraisée n° 8 de 38 mm fournies. Ne pas trop serrer.

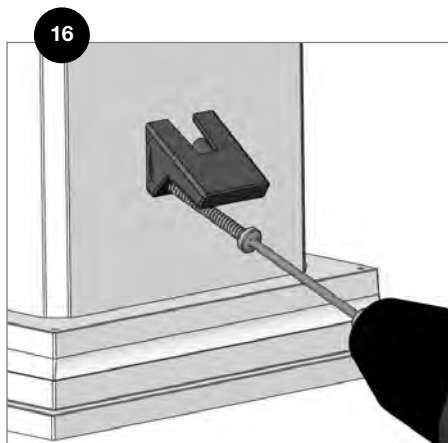
*Remarque : Les vis doivent traverser complètement le balustre.*

Fixez les balustres restants en progressant vers l'autre extrémité. Ne pas trop serrer.

**Balustres métalliques ronds :** Insérez les supports de balustre rond dans le fer en double T en aluminium, en veillant à ce que le trou en angle soit orienté correctement et que le trou percé de bord en bord soit aligné avec les trous latéraux dans le fer en double T.

Mettez tous les balustres bien en place dans les supports. Fixez d'abord une extrémité de balustre à l'aide des vis à tête fraisée autotaraudeuses n° 8 de 38 mm fournies à travers les trous du côté du fer en double T.

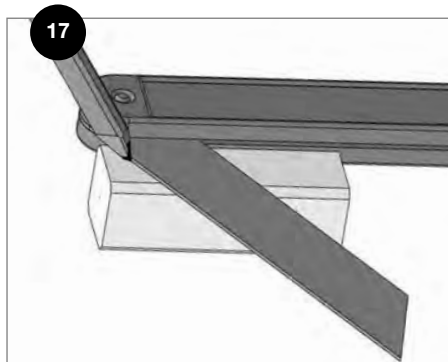
Faites pivoter le fer en double T vers les balustres restants, insérez ceux-ci dans les supports en commençant par l'extrémité fixée jusqu'à l'autre extrémité. Commencer par l'extrémité fixée et poursuivre jusqu'à l'autre extrémité. Fixez le balustre de fin restant puis les balustres restants de l'assemblage.



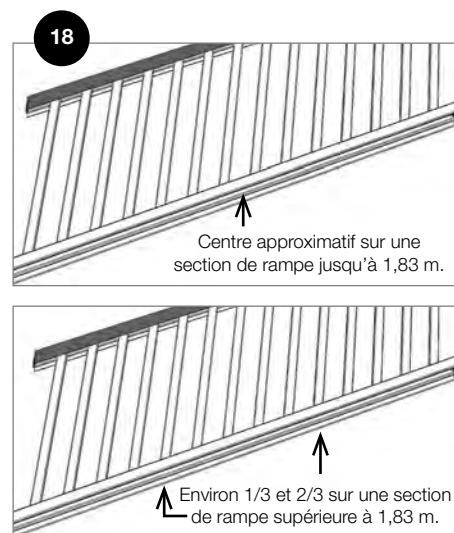
Ajustez à sec la section assemblée et utilisez la rampe inférieure pour tracer une ligne pâle sur le poteau pour déterminer l'emplacement de la bride de rampe inférieure.

*Remarque : Pour obtenir de meilleurs résultats, prépercez des trous de bride sur les poteaux à l'aide d'un foret de 3 mm ou de 4 mm afin d'assurer de visser de manière précise et complète, en particulier lorsque l'angle de l'escalier augmente.*

Fixez les brides d'escalier inférieures sur le poteau à la hauteur voulue à l'aide des vis n° 10 de 64 mm fournies. Ne pas trop serrer.

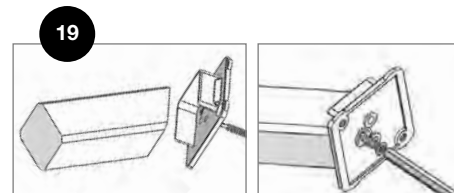


Avant d'assembler la cale de soutien, transférez l'angle de l'escalier sur l'extrémité de la cale de soutien, ajustez à sec, puis coupez à la longueur voulue.



Pour les sections de rampe de 1,83 m, positionnez la cale de soutien et le support à l'intérieur de la rampe inférieure environ au centre.

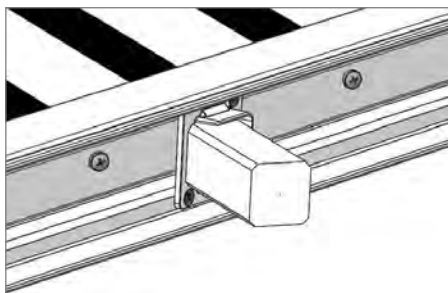
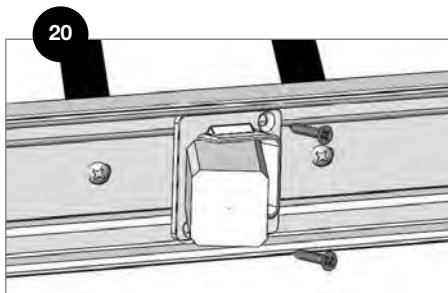
Pour les sections de rampe de 2,44 m, positionnez les deux cales de soutien et les supports à l'intérieur de la rampe inférieure, environ au tiers et aux deux tiers de la longueur.



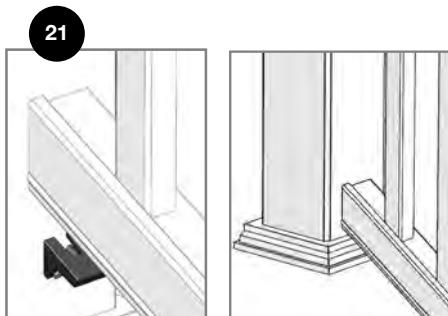
Fixez la cale de soutien au support de cale de soutien à l'aide d'une vis à tête fraisée n° 8 fournie. Ne pas trop serrer.

*Remarque : La vis sera décalée par rapport au centre dans la cale de soutien.*

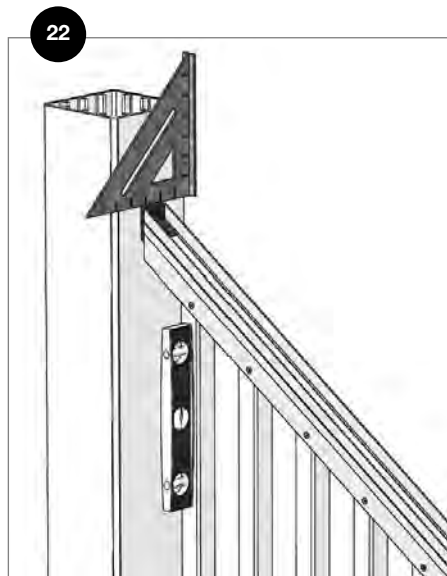
## Directives d'installation des rampes Symmetry Signature – 1,83 m et 2,44 m – Escalier



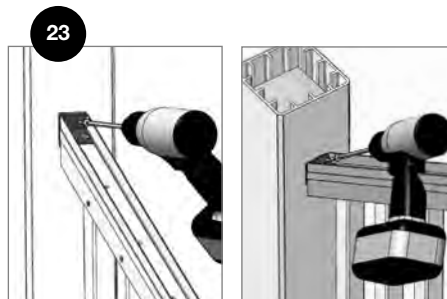
Positionnez la cale de soutien et le support dans la rampe inférieure et trouvez les deux trous de vis. Retirez le support et prépercez un trou à l'aide d'un foret de 3 mm. Repositionnez la cale de soutien et le support de cale de soutien, puis fixez à l'aide des vis n° 8 de 25 mm fournies. Ne pas trop serrer.



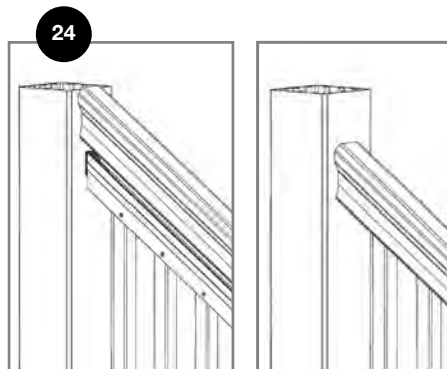
Positionnez soigneusement la portion de rampe préassemblée entre les poteaux, puis baissez lentement sur les brides inférieures jusqu'à ce qu'elle soit entièrement calée.



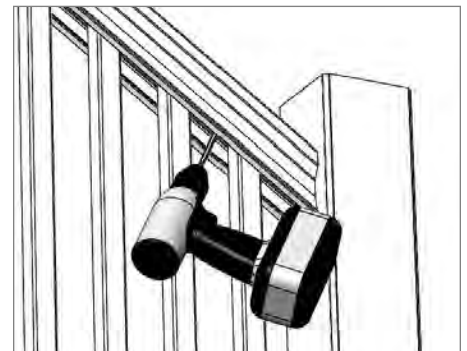
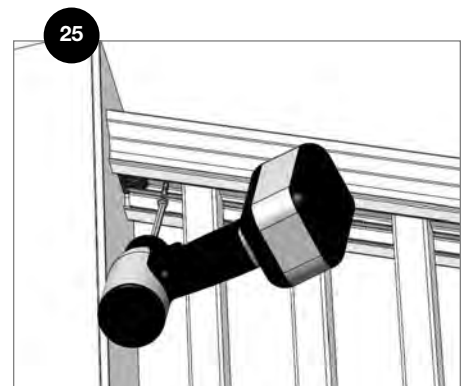
Centrez le profilé en double T sur le poteau et vérifiez que tout est droit et vertical.



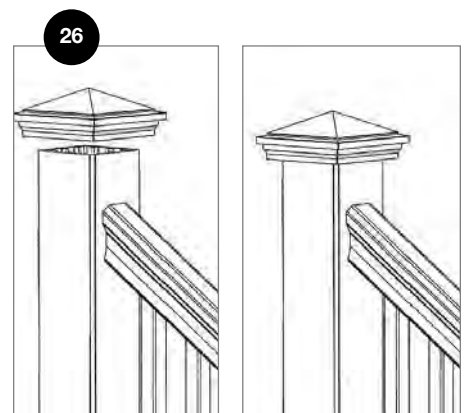
À partir du haut, fixez le fer en double T aux poteaux des deux extrémités à l'aide des vis à tête conique autotaraudeuses n° 10 de 64 mm fournies. Ne pas trop serrer.



Positionnez la rampe supérieure au-dessus de l'assemblage intérieur, puis abaissez soigneusement pour mettre en place.



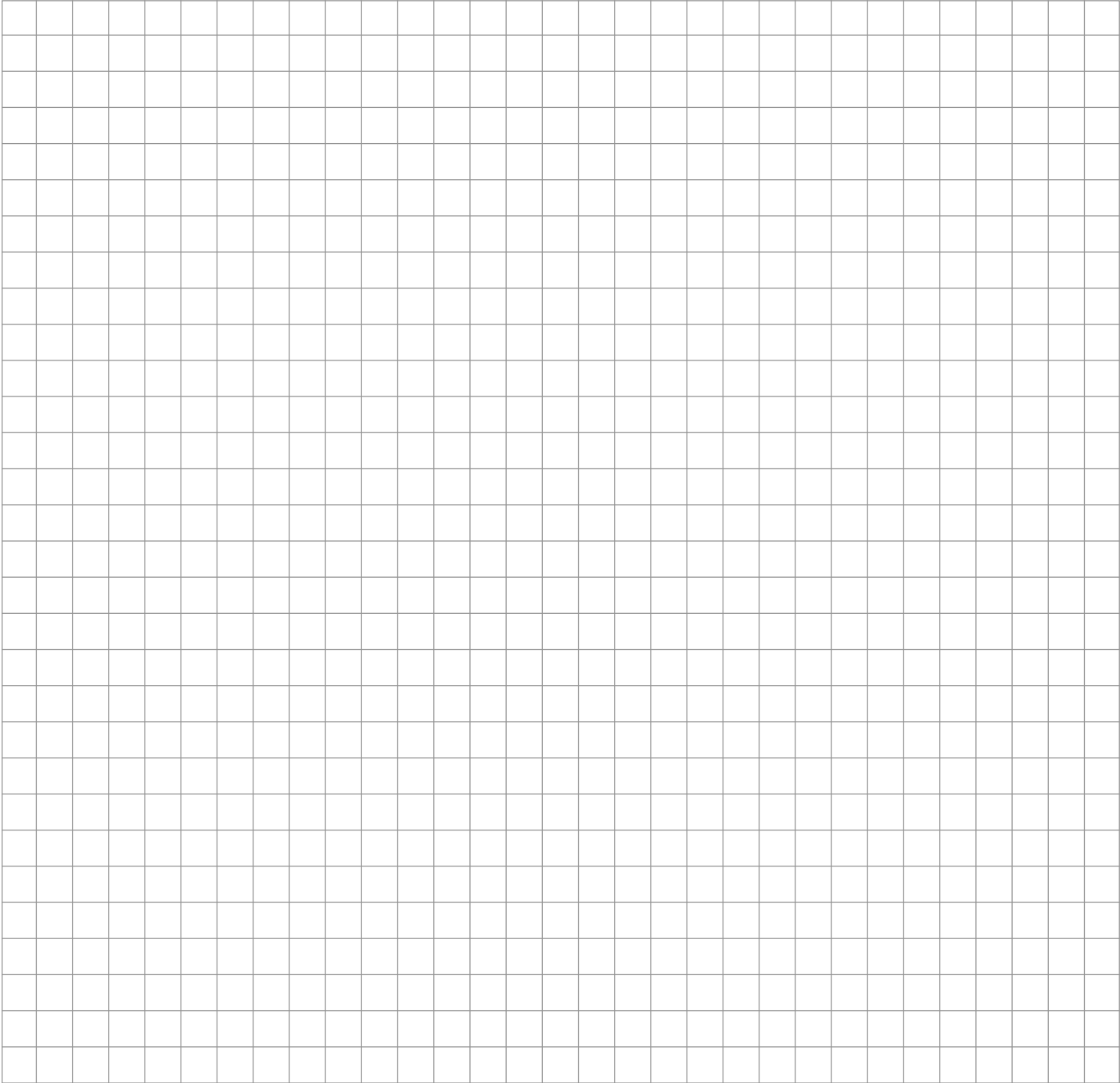
À l'aide des vis de 38 mm, fixez la rampe supérieure en commençant le plus près possible du poteau. Puis, espacez le restant des vis uniformément.



Complétez l'assemblage en collant les capuchons de poteau en place à l'aide d'un adhésif conçu pour l'extérieur.

# Grille de conception

---



fiberondecking.com  
1 800 573-8841